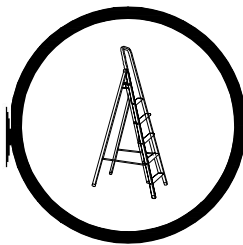
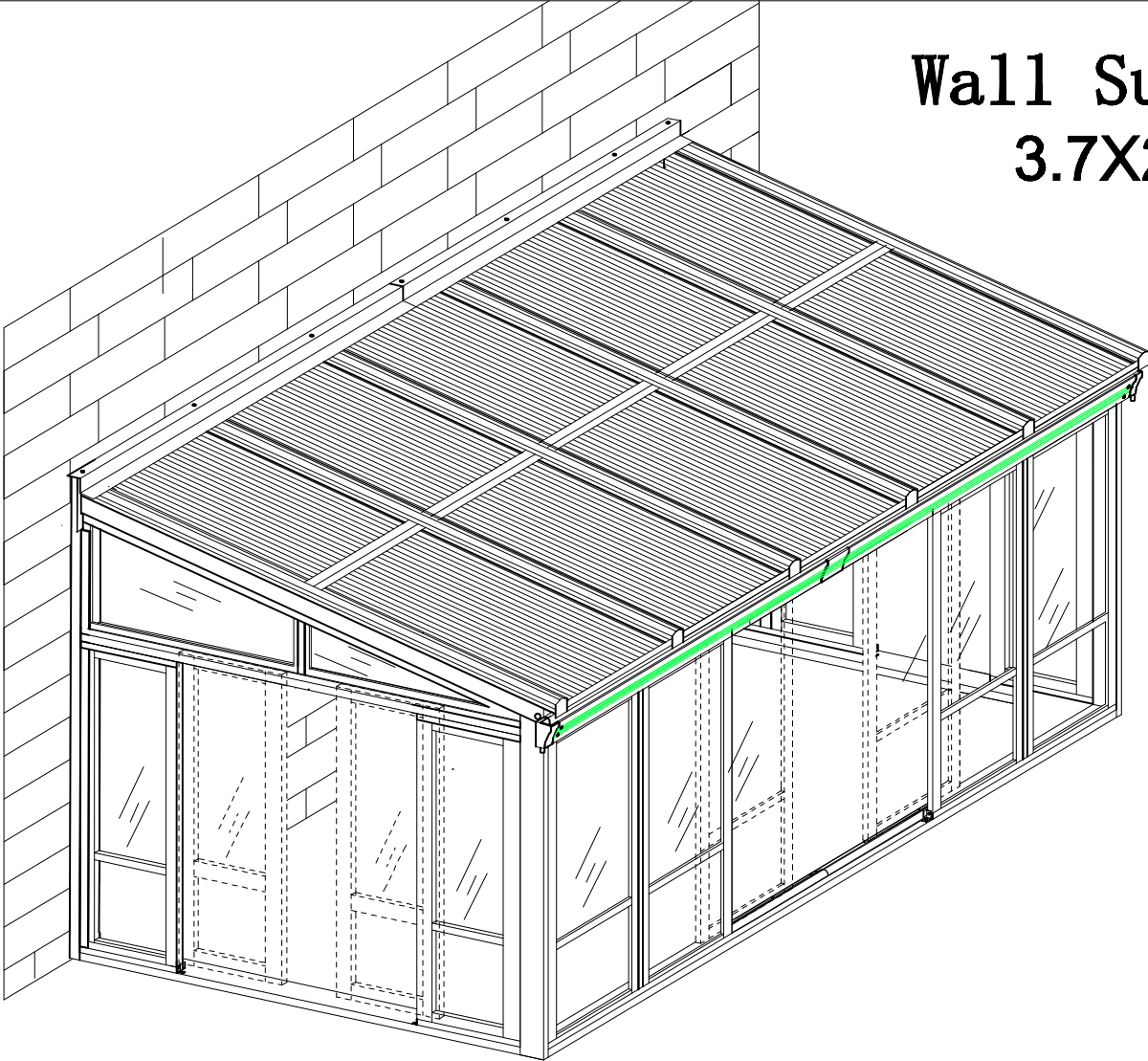
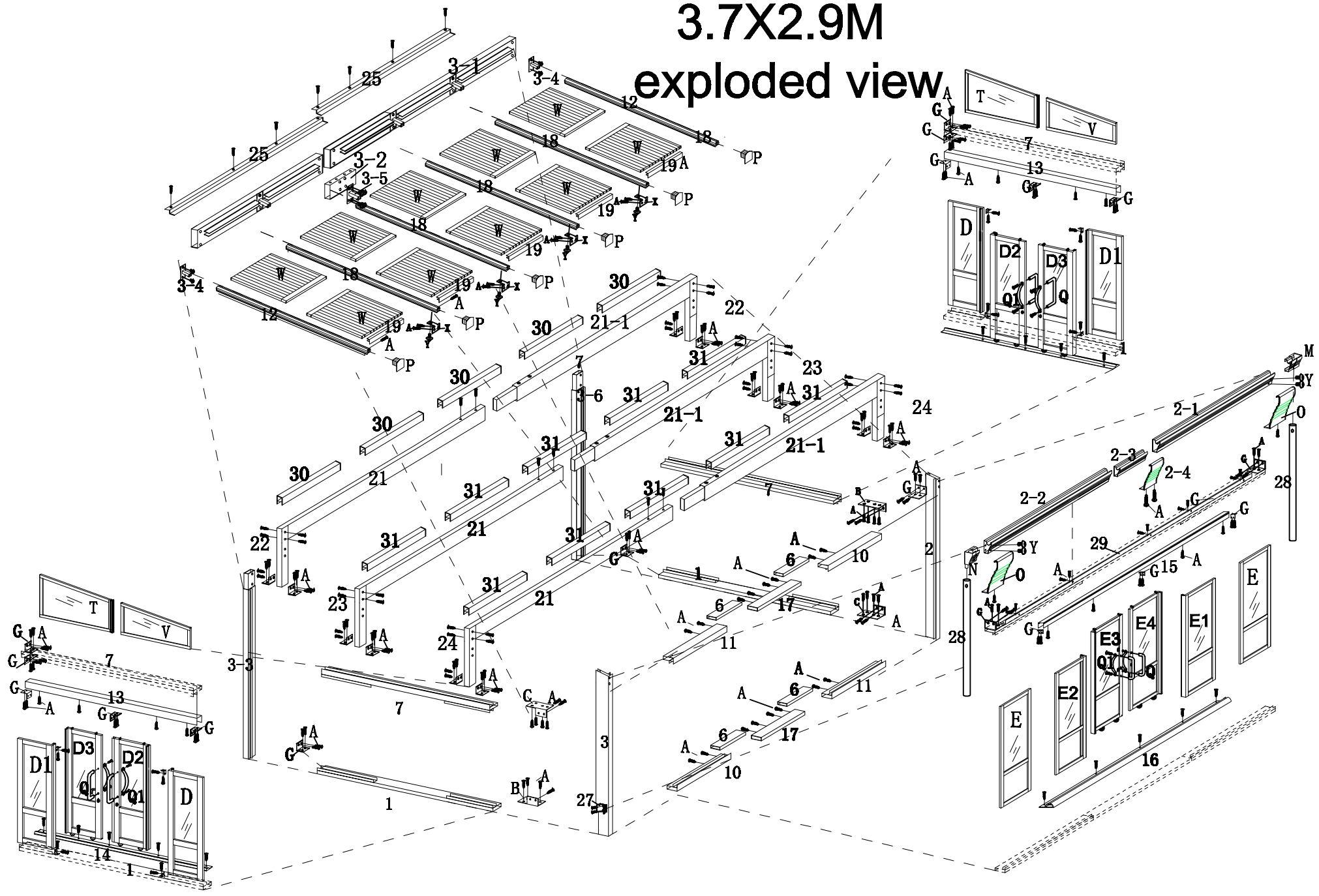


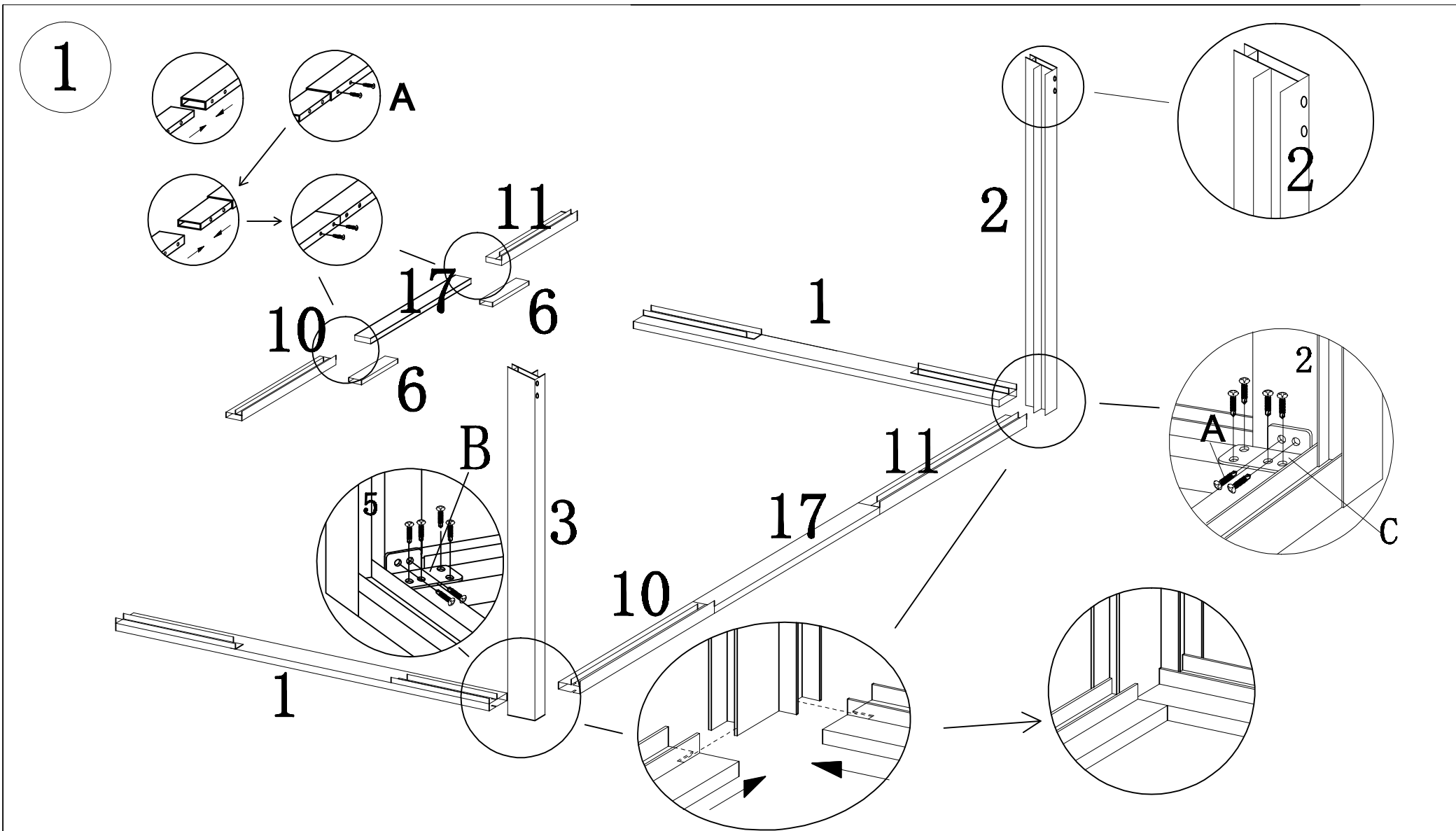
# Wall Sun Room 3.7X2.9M

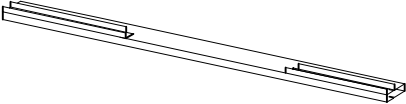
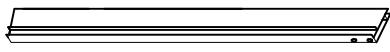
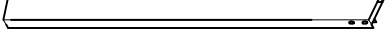
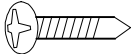


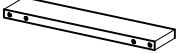
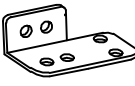
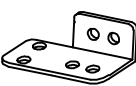
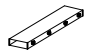


# 3.7X2.9M exploded view

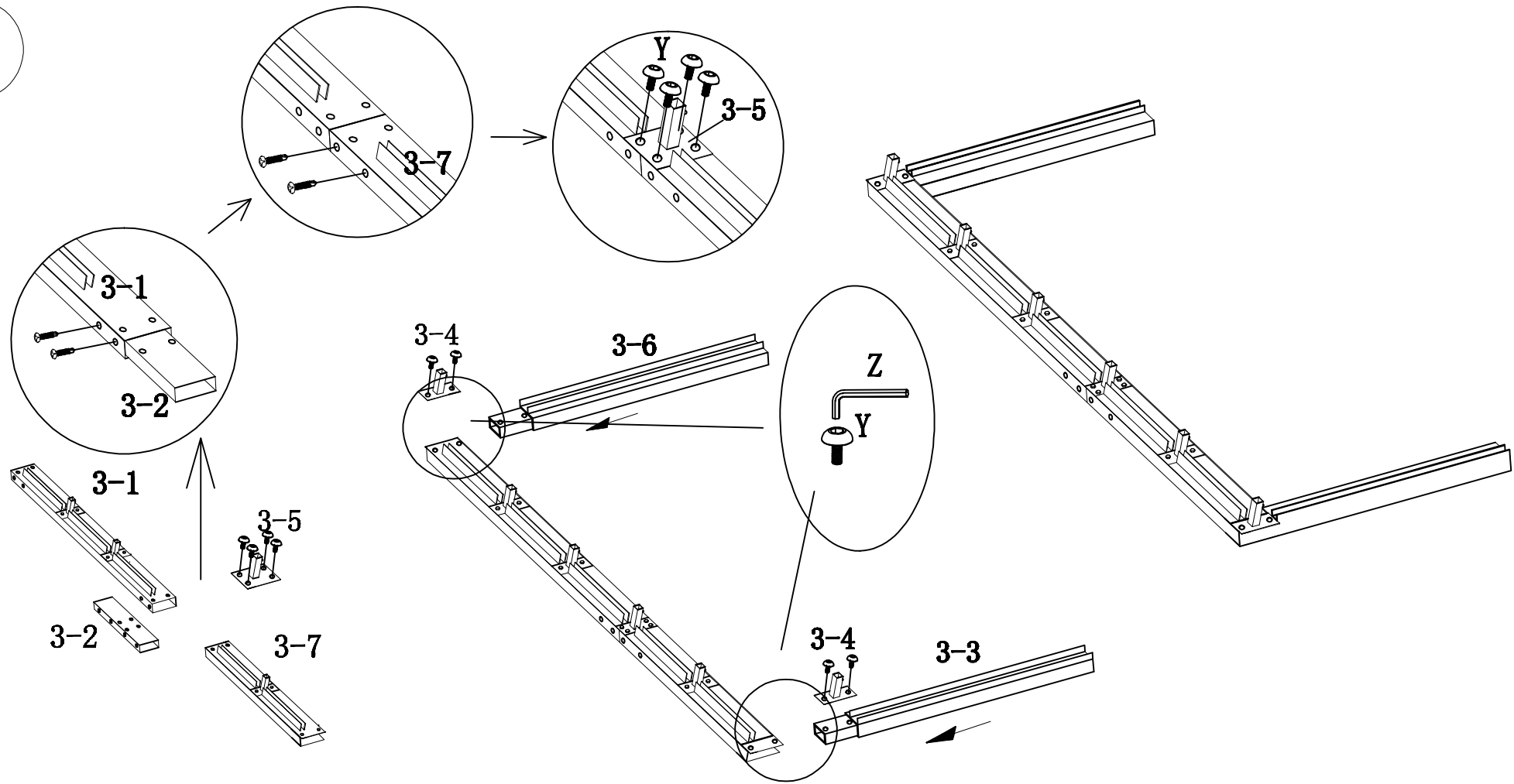


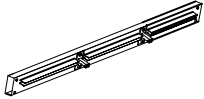
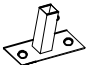
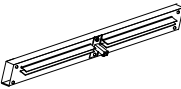
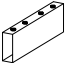
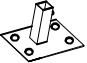



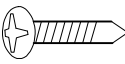



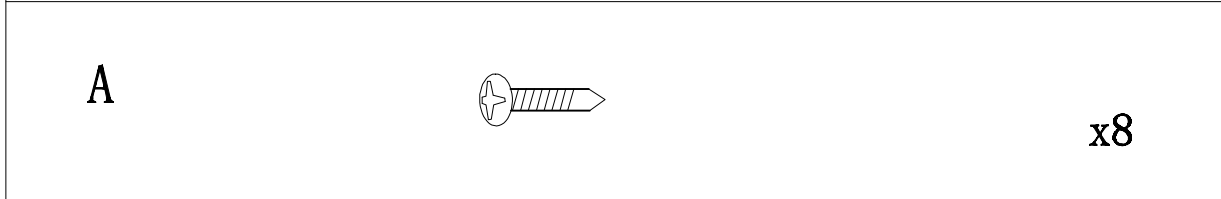
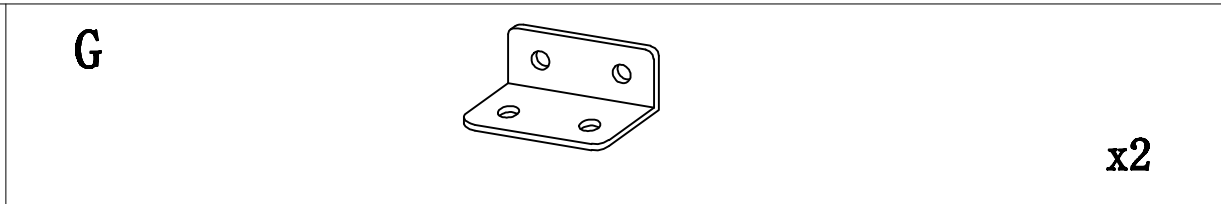
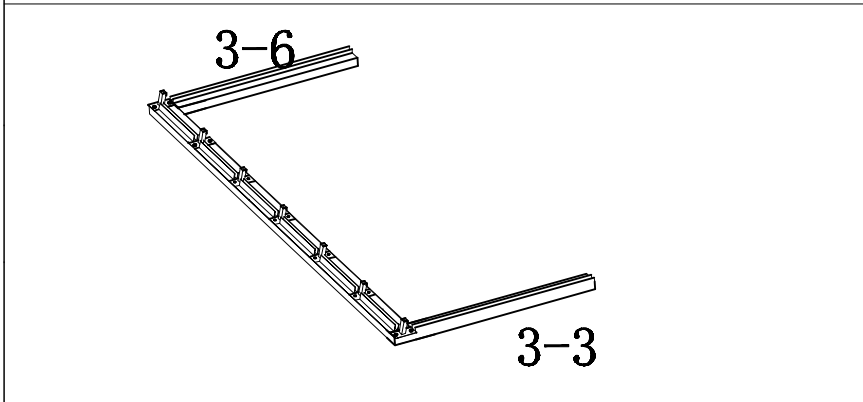
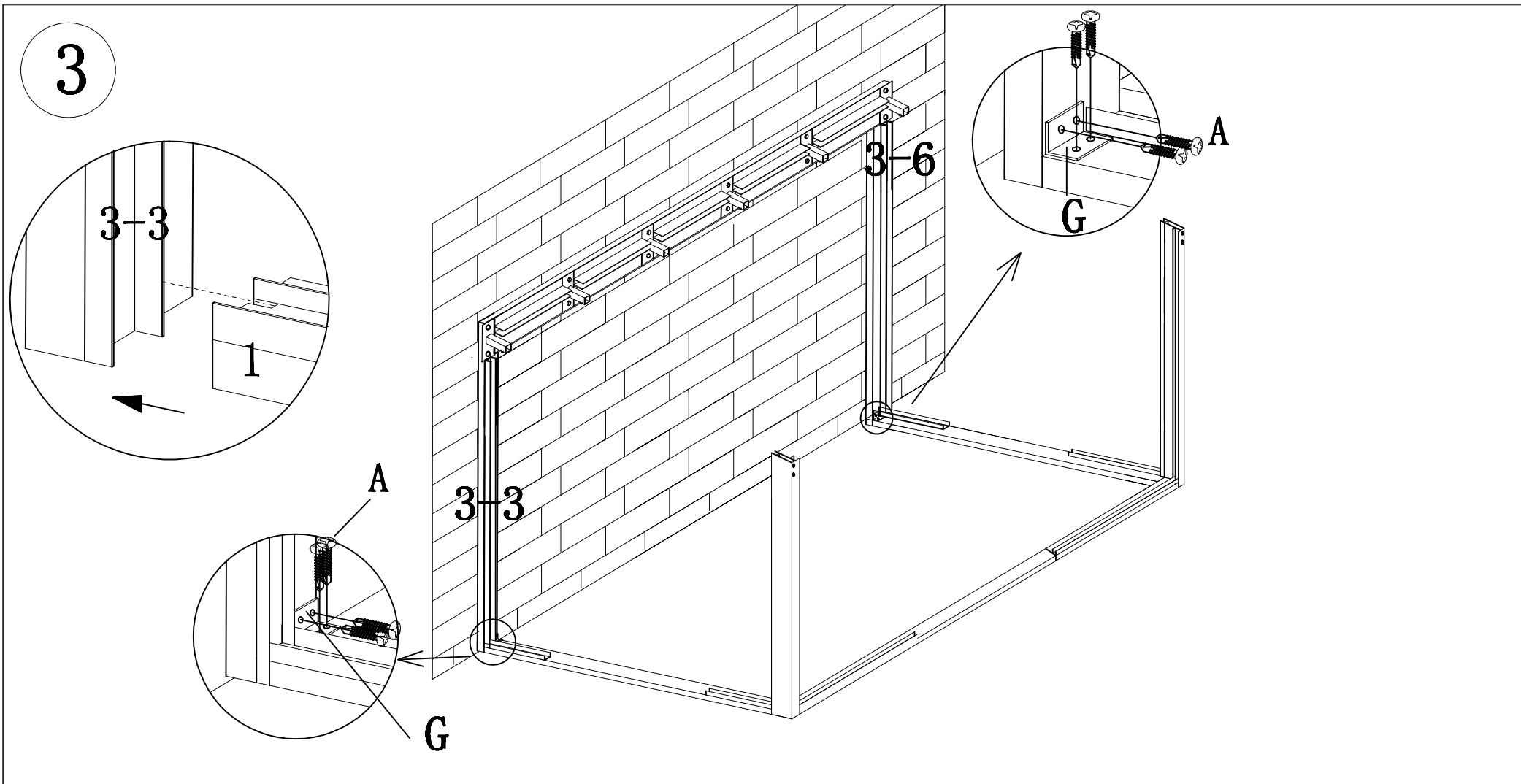


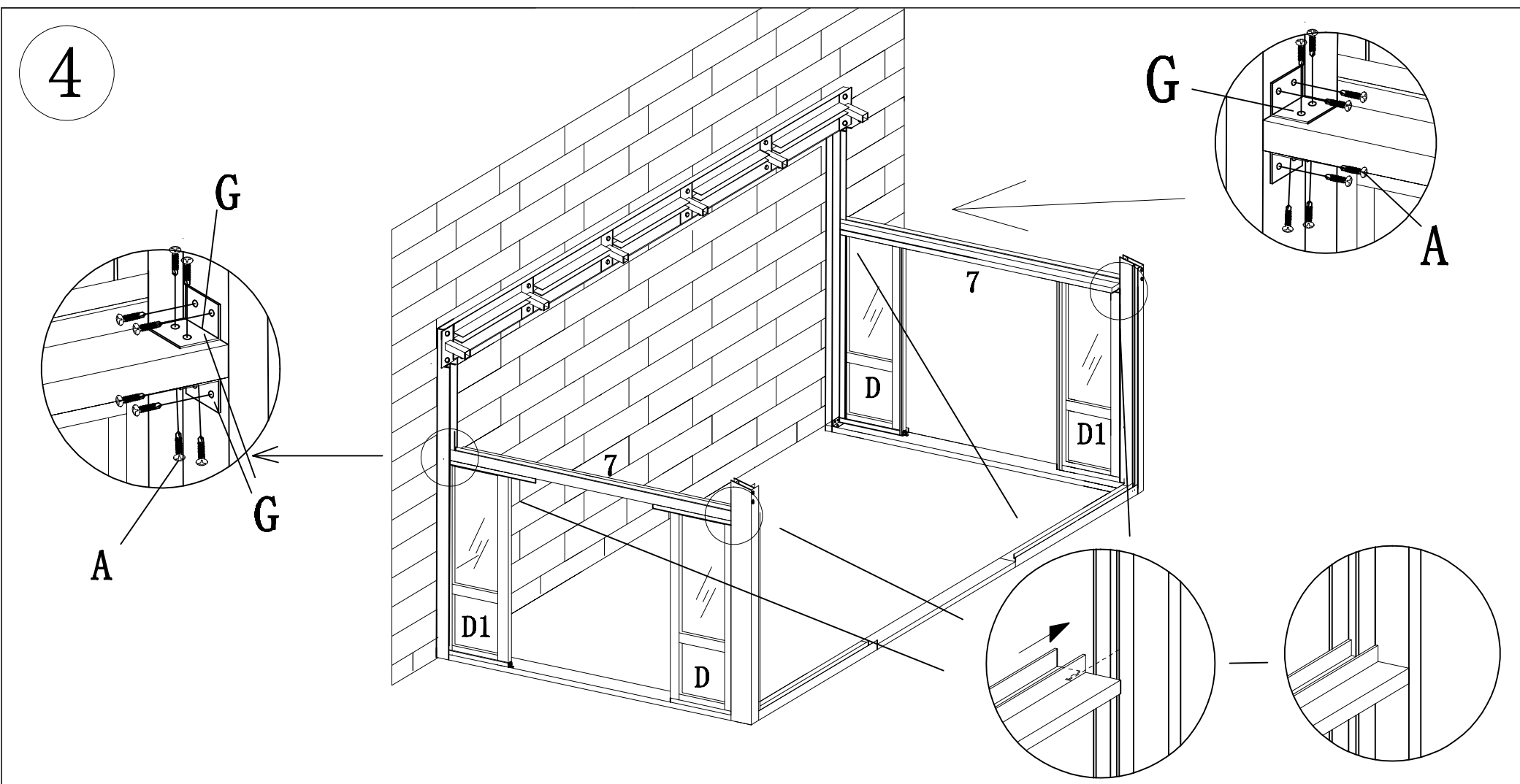
<p>1</p>  <p>x2</p>	<p>2</p>  <p>x1</p>	<p>3</p>  <p>x1</p>	<p>A</p>  <p>x20</p>	
<p>10</p>  <p>x1</p>	<p>11</p>  <p>x1</p>	<p>17</p>  <p>x1</p>	<p>B</p>  <p>x1</p> <p>C</p>  <p>x1</p>	<p>6</p>  <p>x2</p>

2



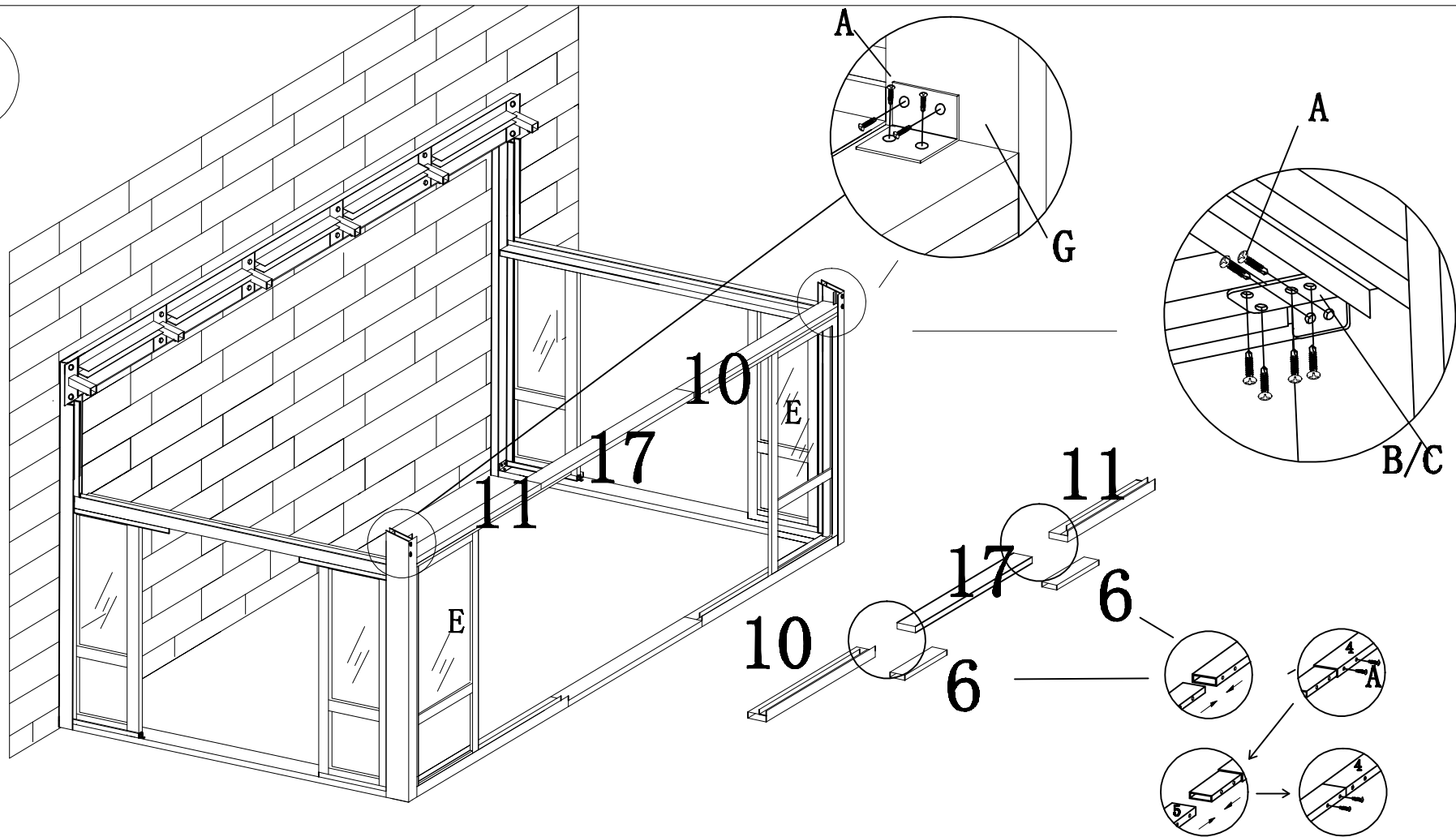
<p>3-1</p>  <p>x1</p>	<p>3-4</p>  <p>x2</p>	<p>3-7</p>  <p>x1</p>	
<p>3-2</p>  <p>x1</p>	<p>3-5</p>  <p>x1</p>	<p>Y</p>  <p>x8</p>	
<p>3-3</p>  <p>x1</p>	<p>3-6</p>  <p>x1</p>	<p>A</p>  <p>x4</p>	<p>Z</p>  <p>x2</p>

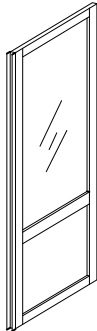


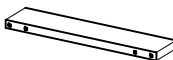

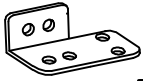
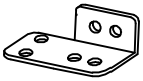

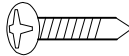




<p><b>D</b></p> <p>x2</p>	<p><b>D1</b></p> <p>x2</p>	<p><b>7</b></p> <p>x2</p>	<p><b>G</b></p> <p>x4</p>
			<p><b>A</b></p> <p>x16</p>

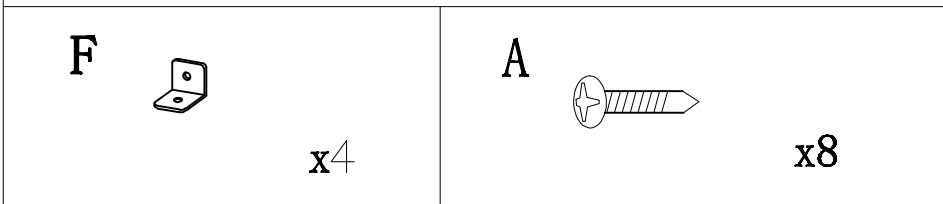
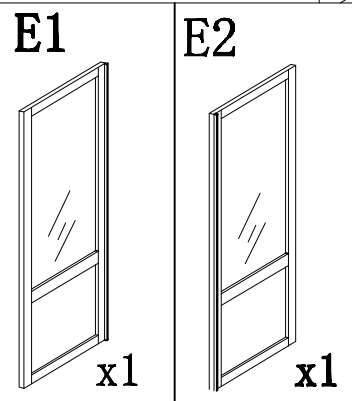
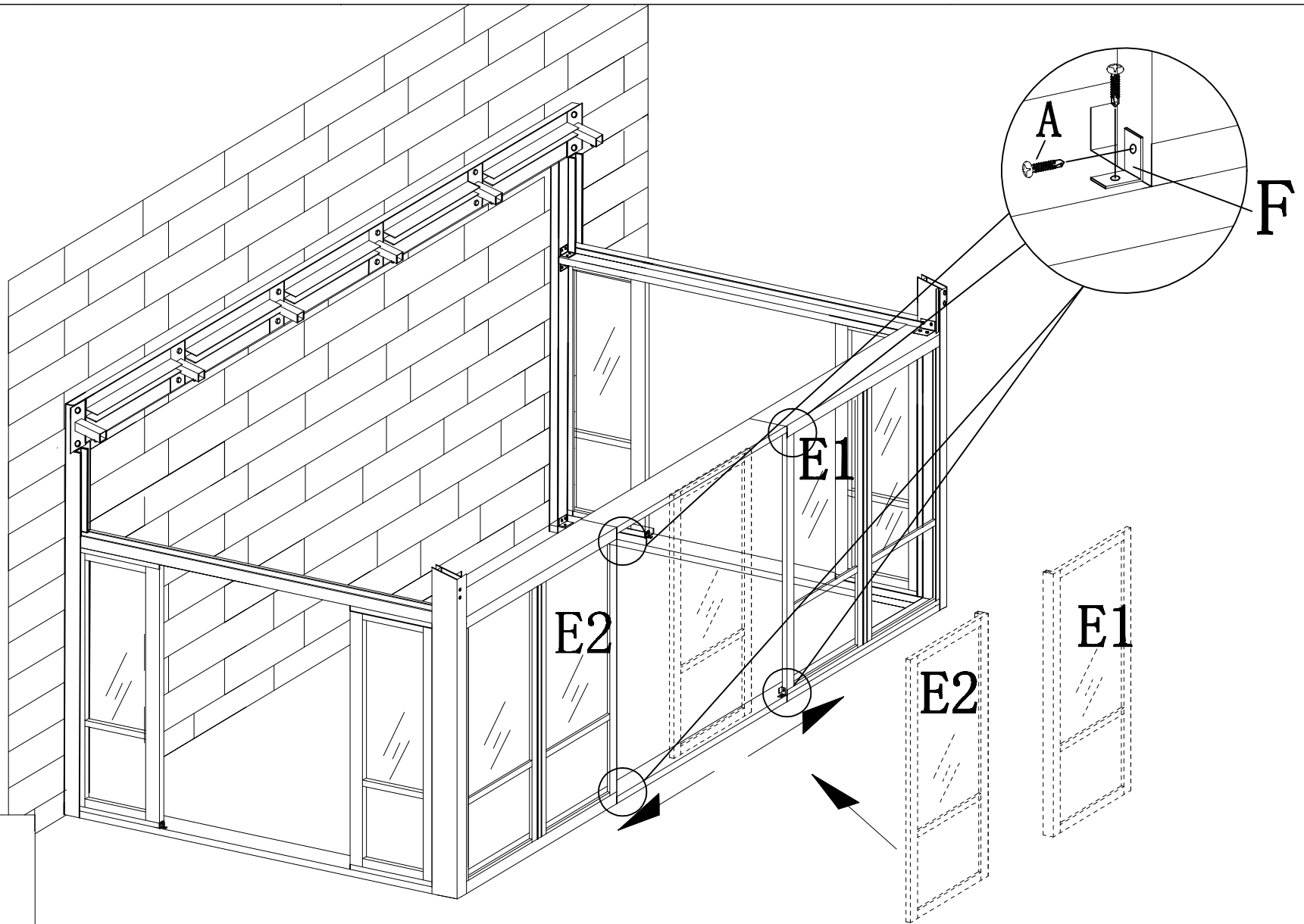
5



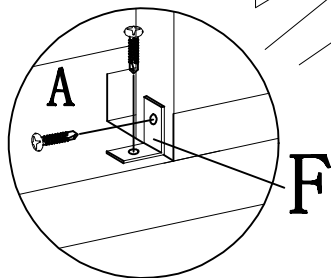
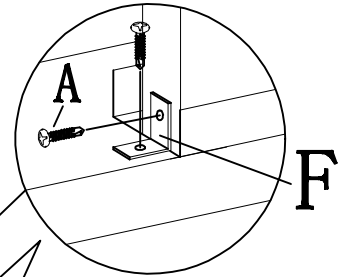
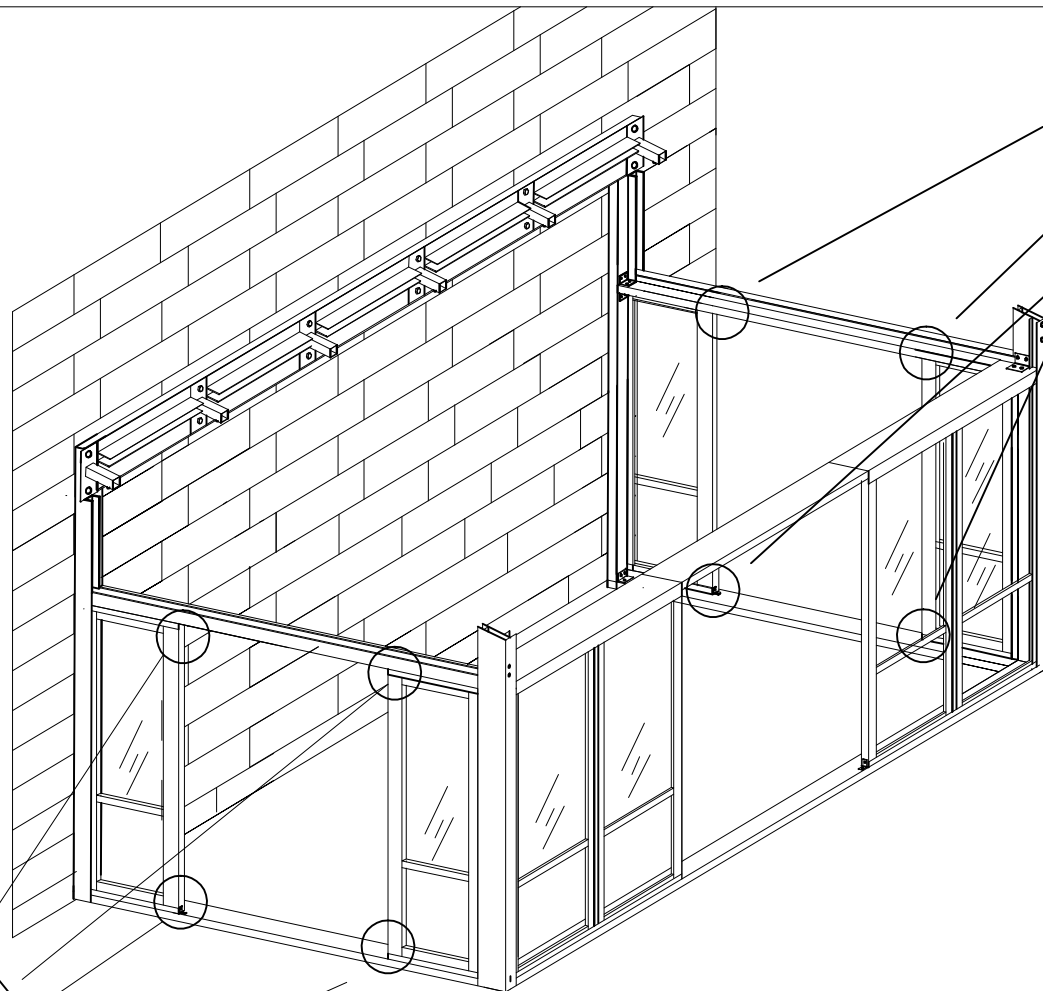
<p>E</p>  <p>x2</p>	<p>10</p>  <p>x1</p>	<p>11</p>  <p>x1</p>	<p>17</p>  <p>x1</p>	<p>6</p>  <p>x2</p>
	<p>B</p>  <p>x1</p>	<p>C</p>  <p>x1</p>	<p>G</p>  <p>x2</p>	<p>A</p>  <p>x24</p>



6



7

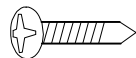


F



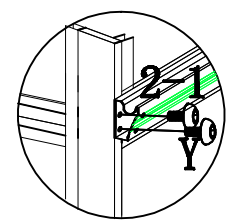
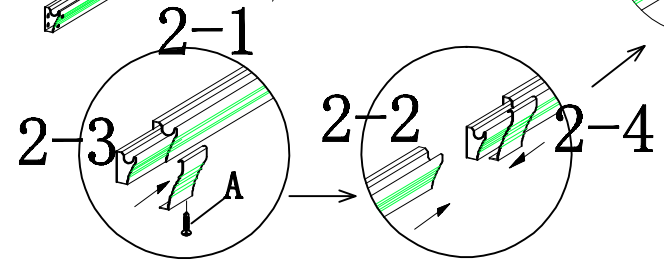
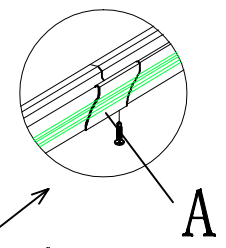
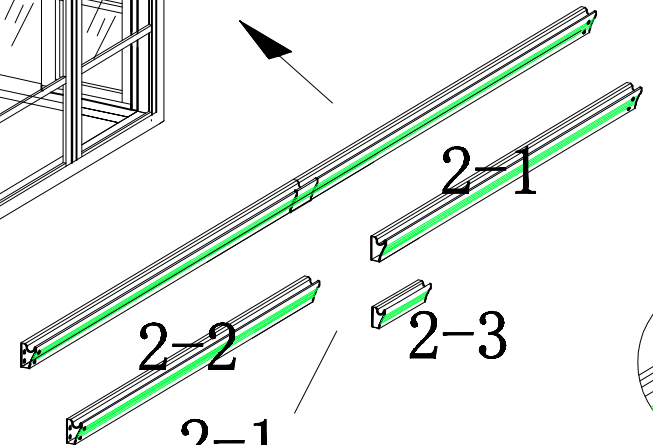
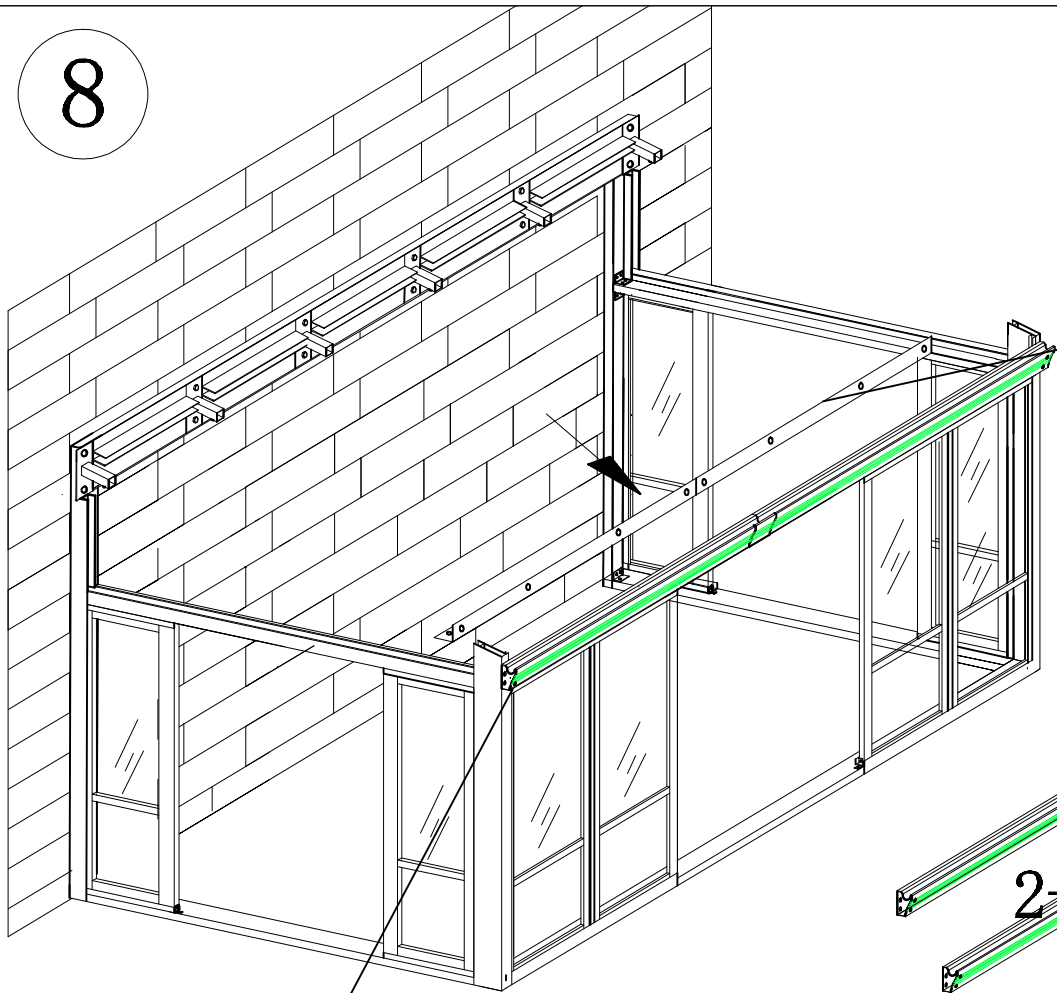
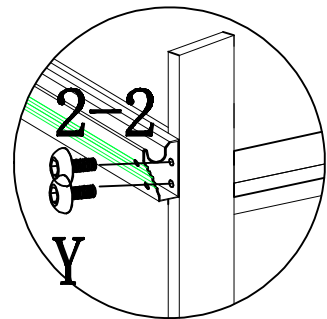
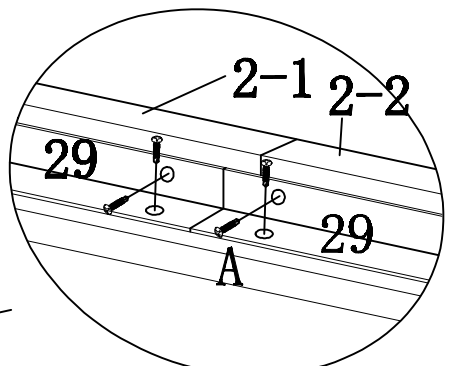
x8

A

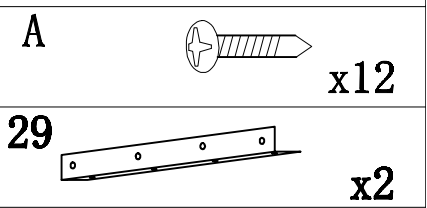
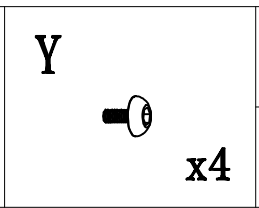
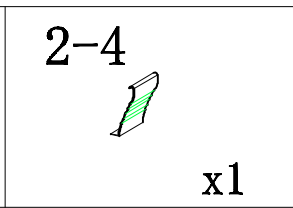
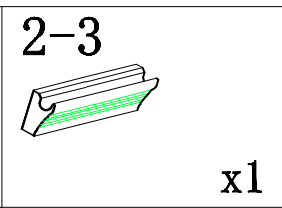
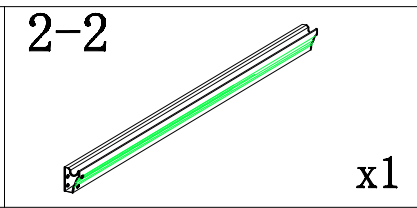
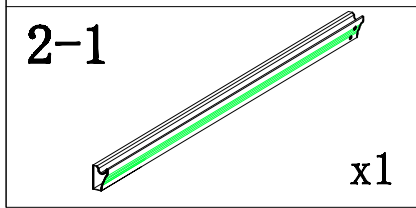


x16

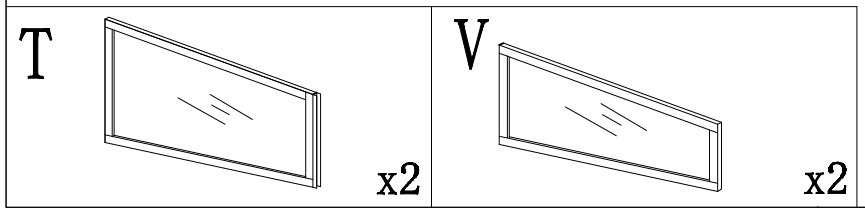
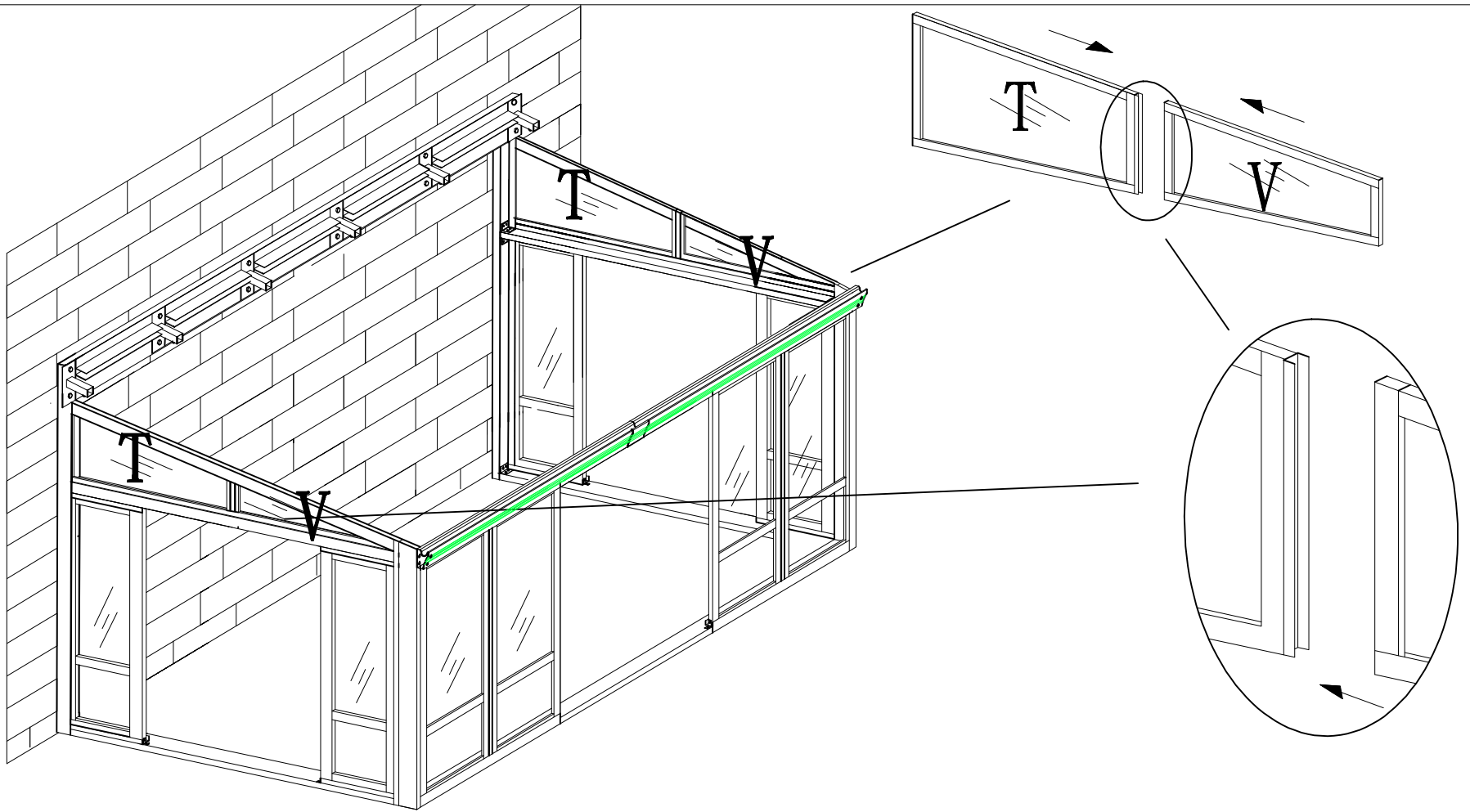
8



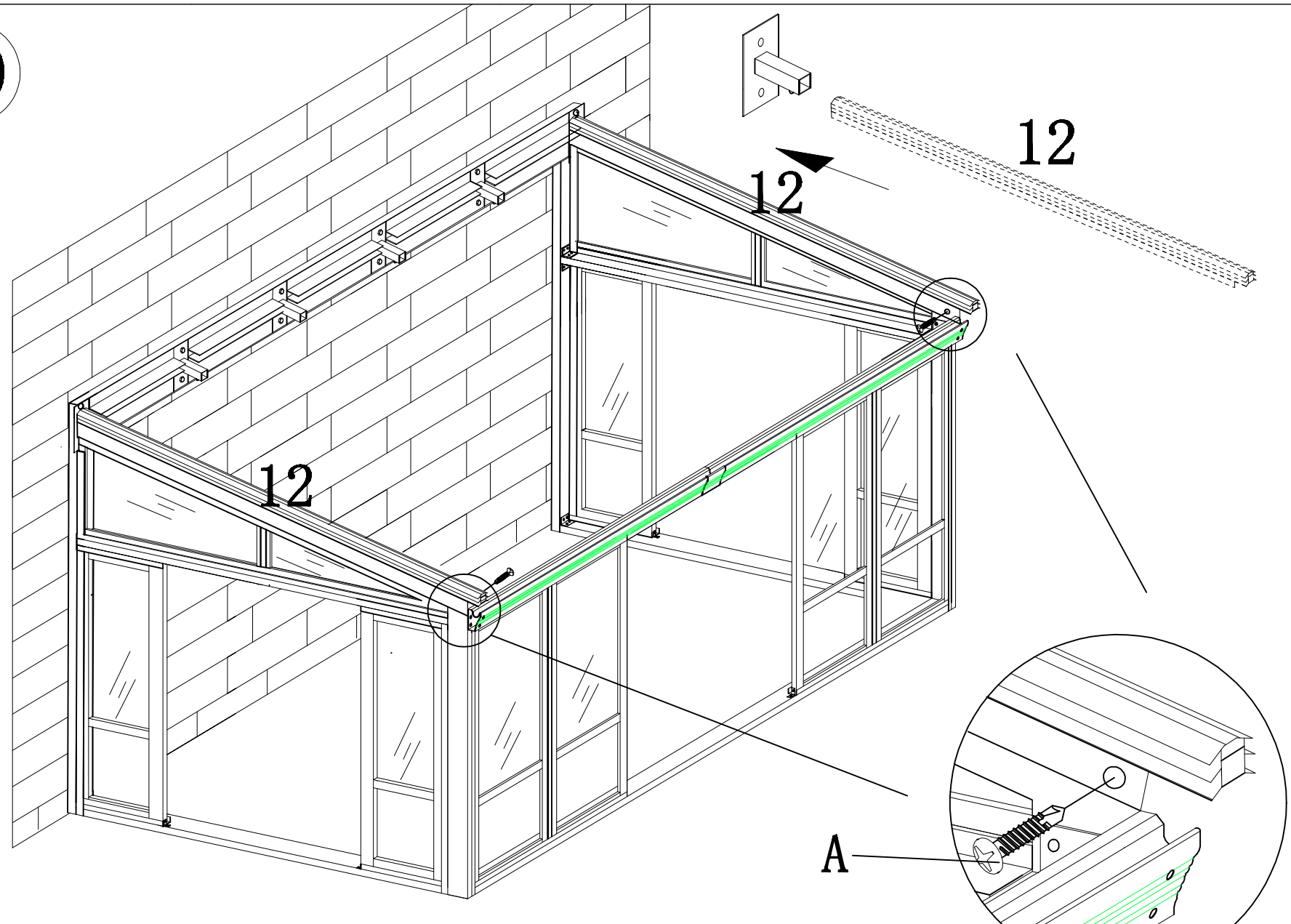
x1



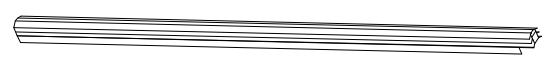
9



10

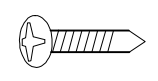


12



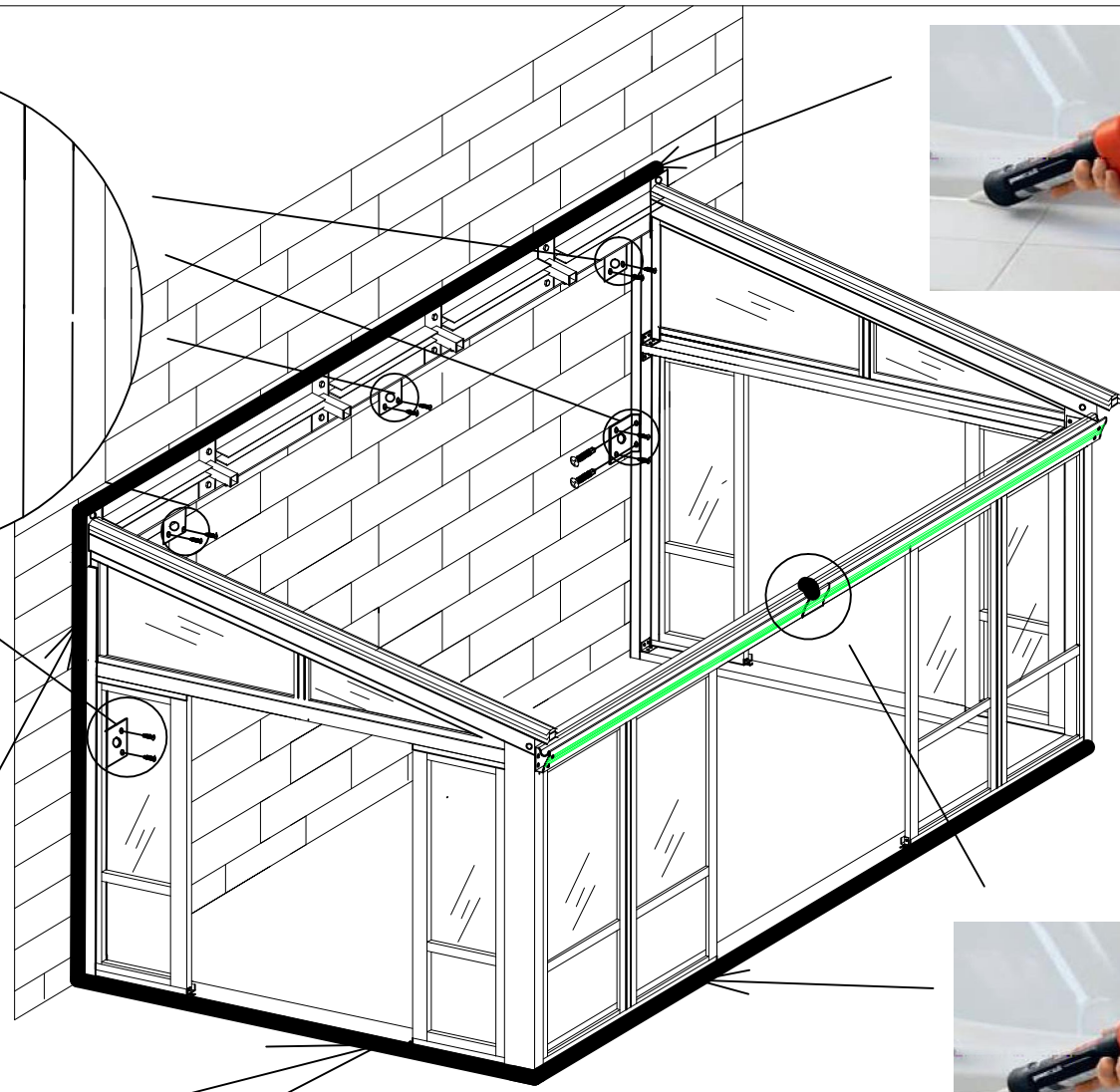
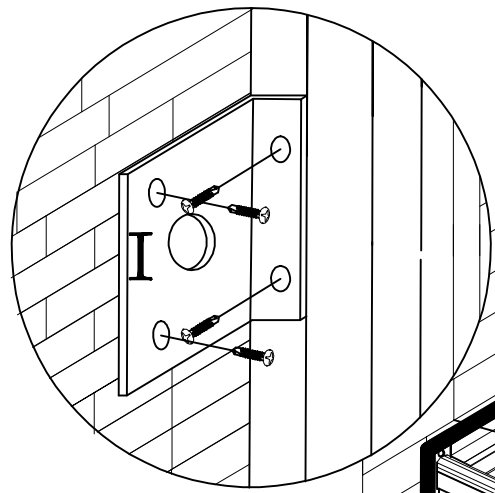
x2

A



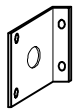
x2

11



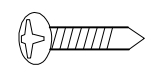
Please reinforce with glass glue on the wall, glass glue is not including.

I



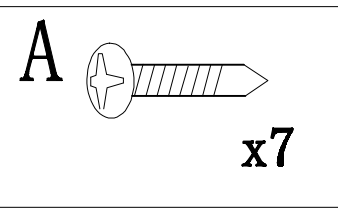
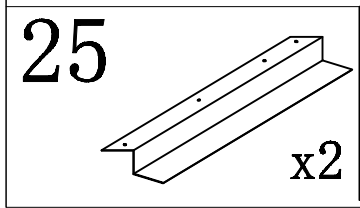
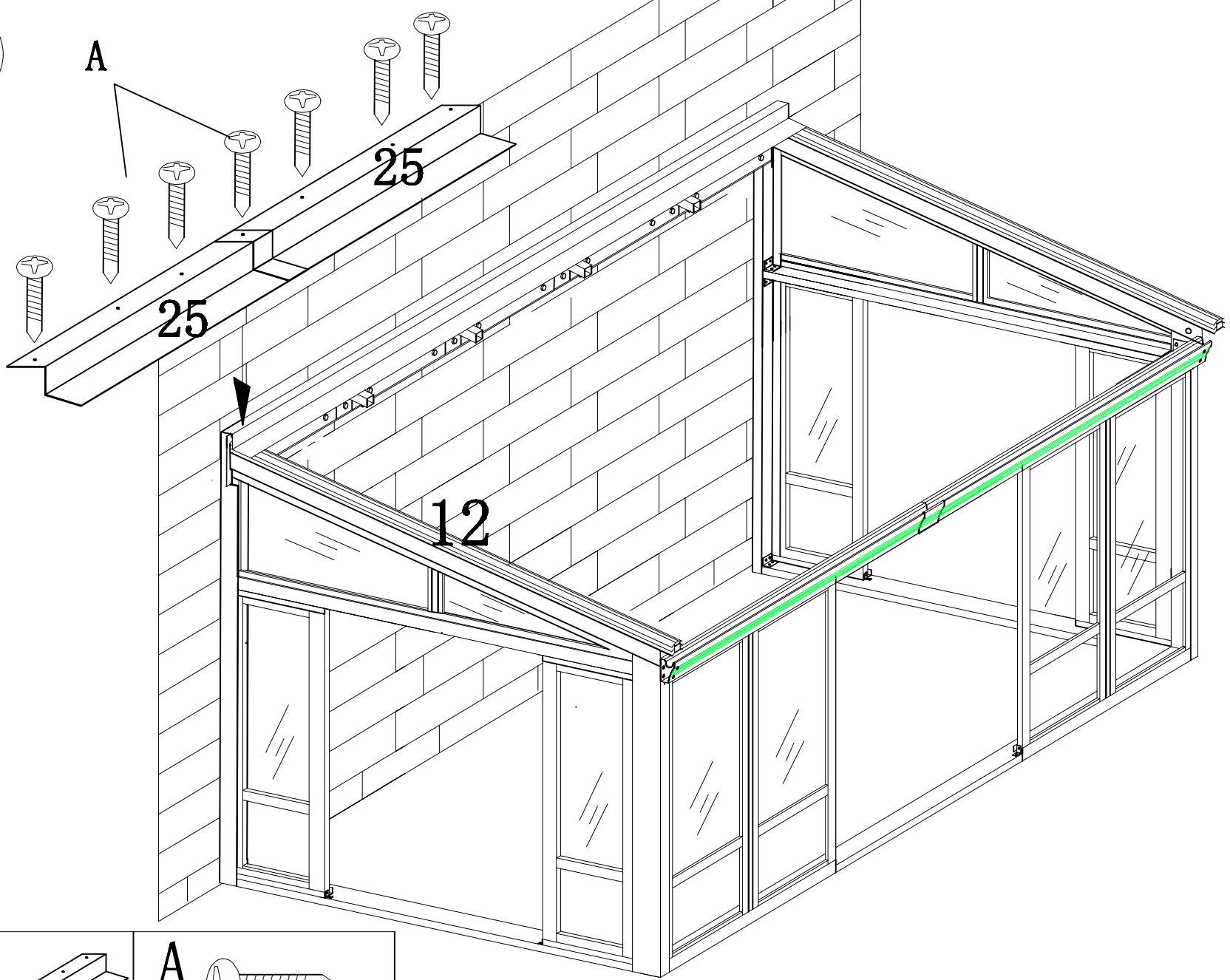
x10

A

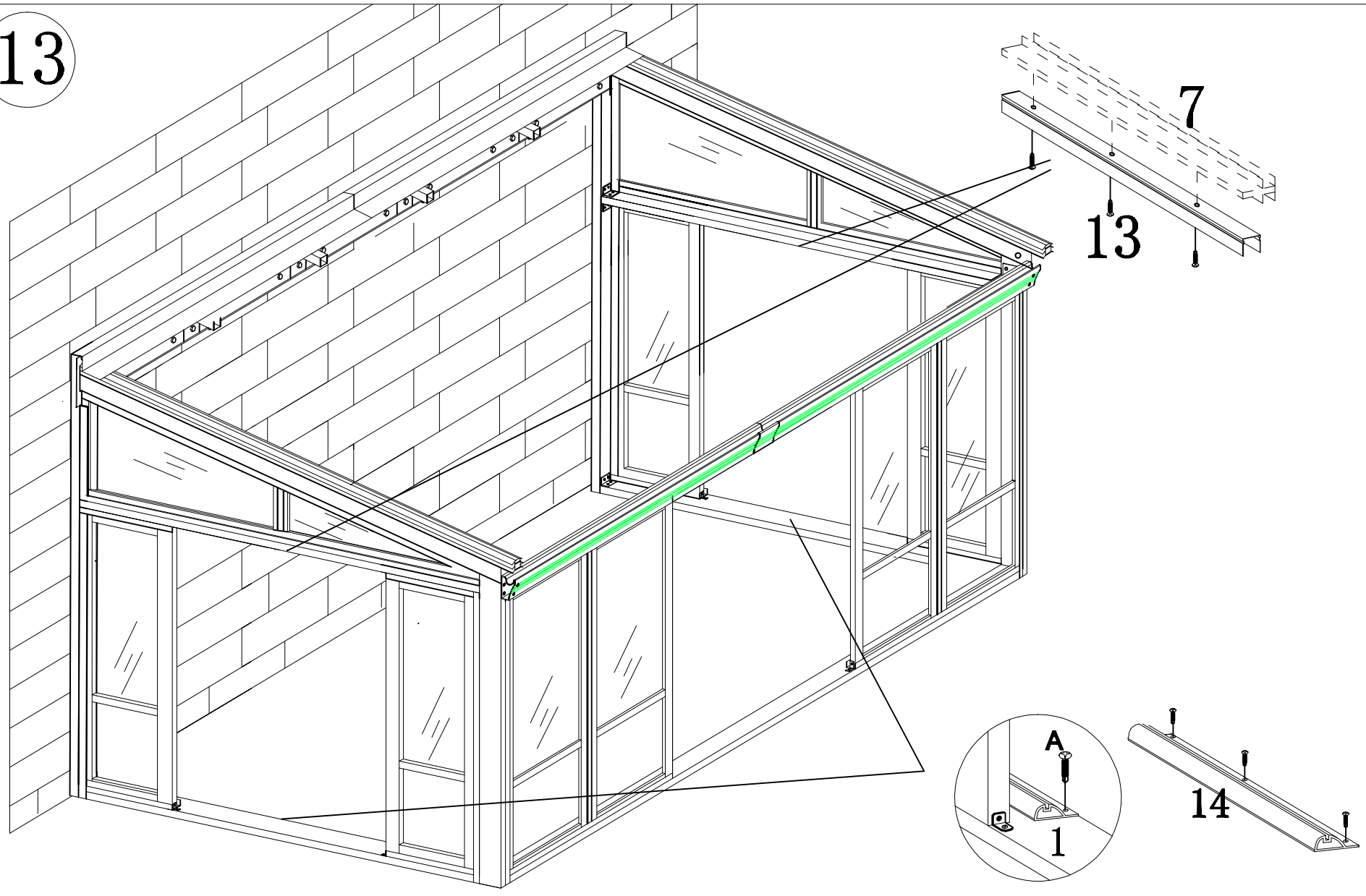


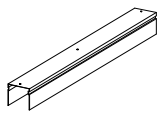
x40

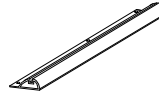
12

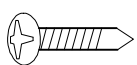


13



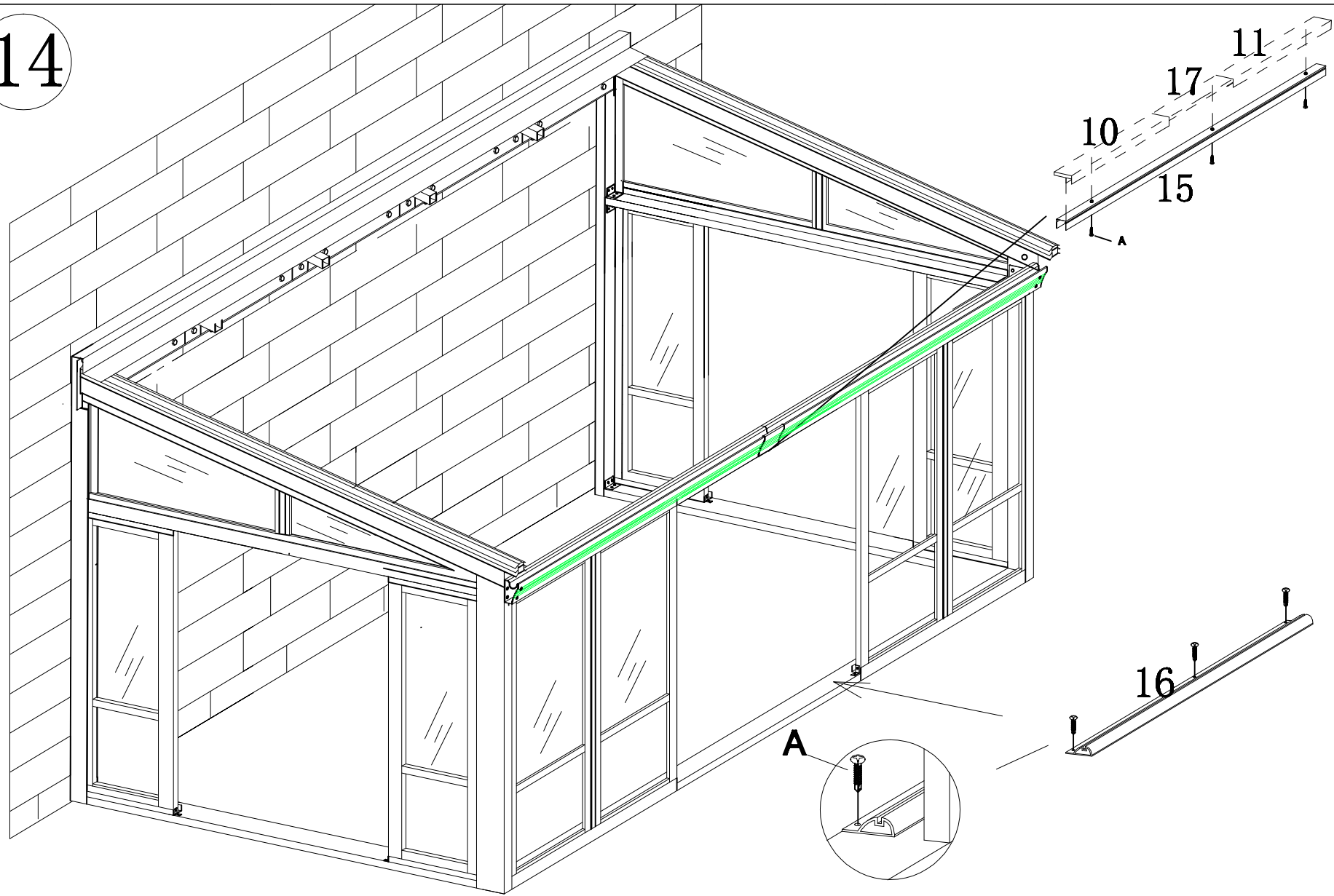
13  x2

14  x2

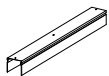
A  x12



14



15



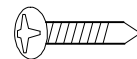
x1

16



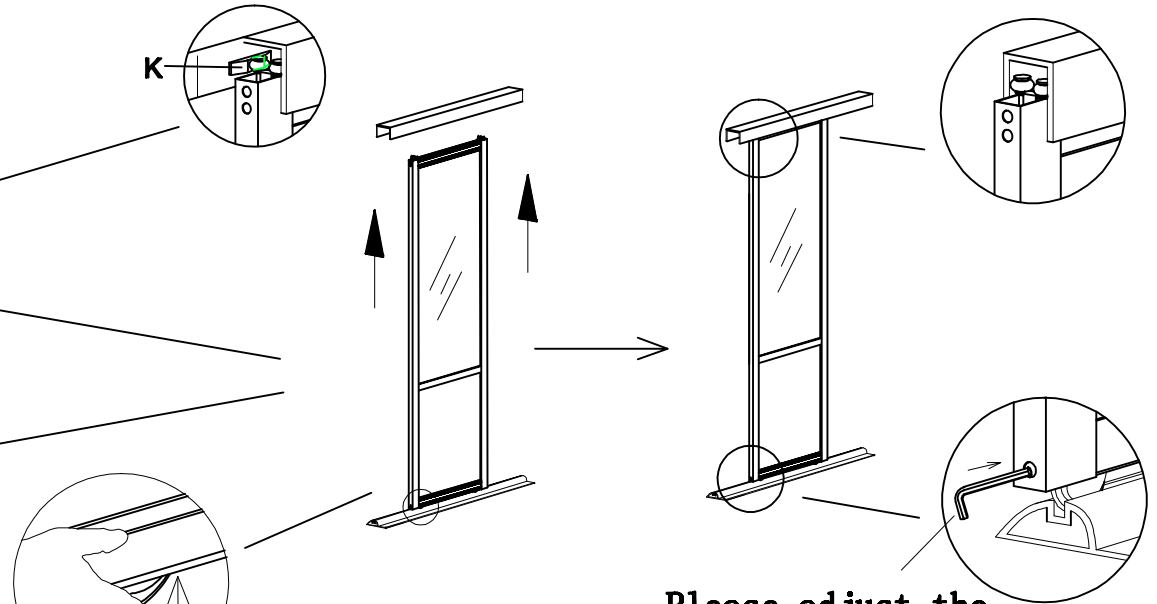
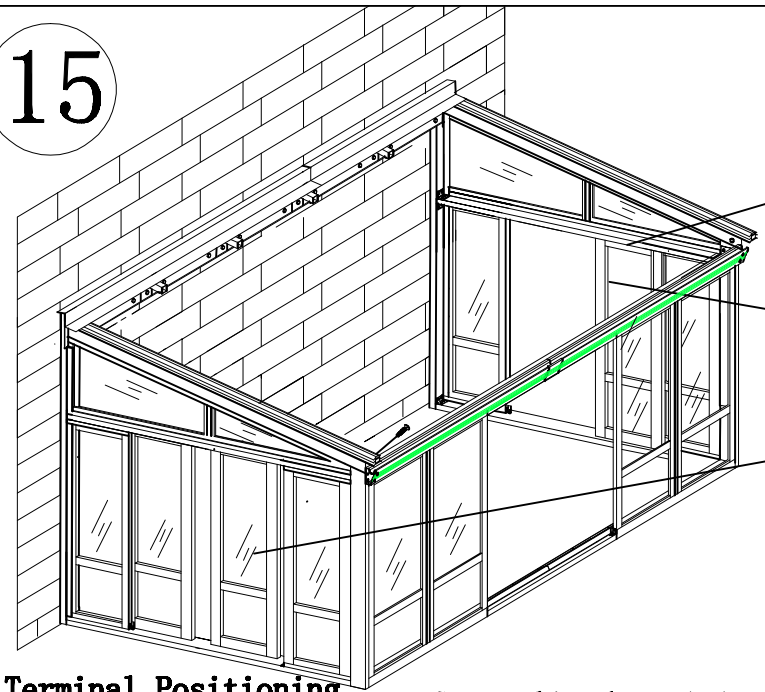
x1

A



x6

15



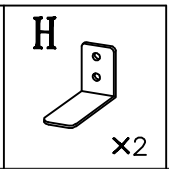
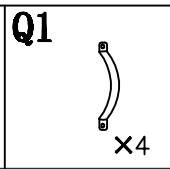
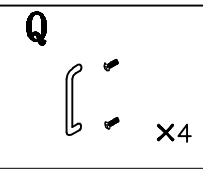
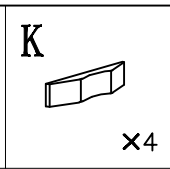
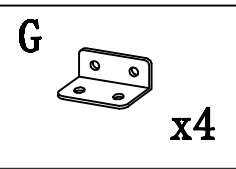
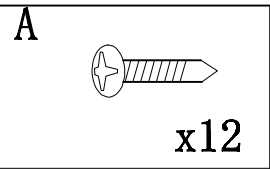
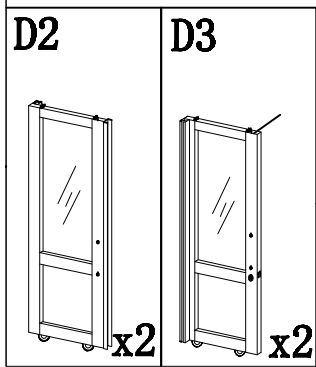
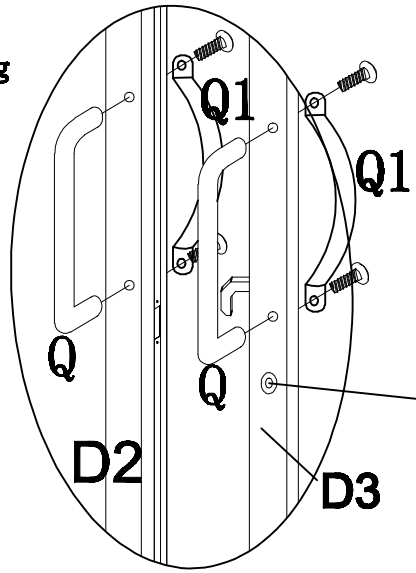
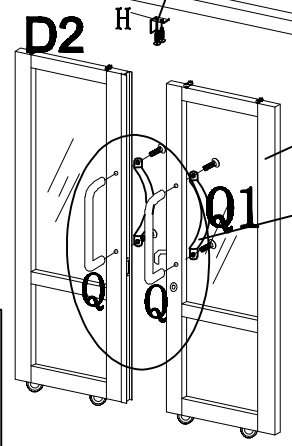
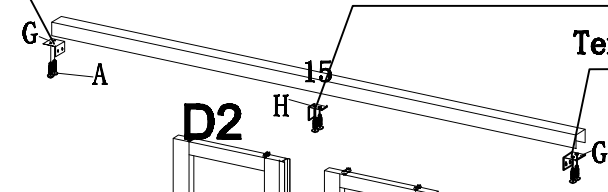
Please adjust the wheels to keep the door in a straight position.



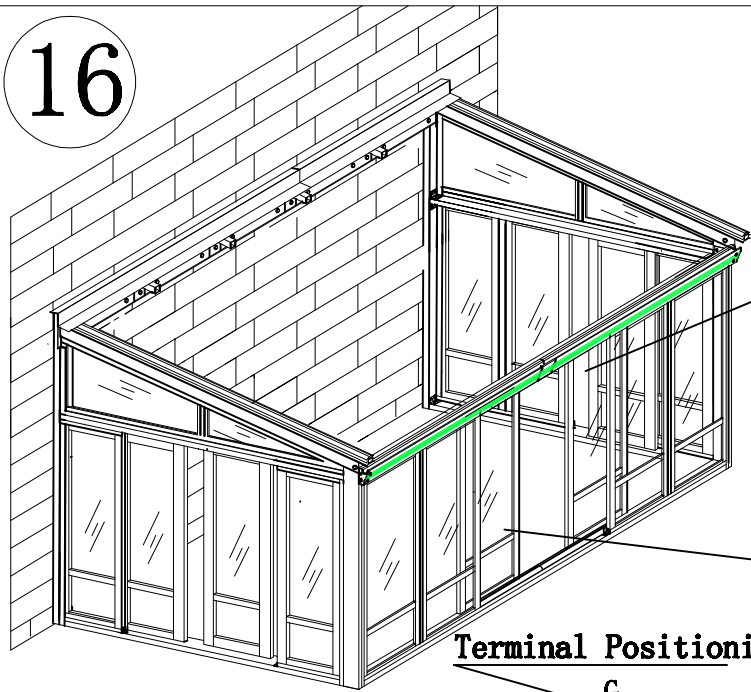
Terminal Positioning

Centralized Positioning

Terminal Positioning



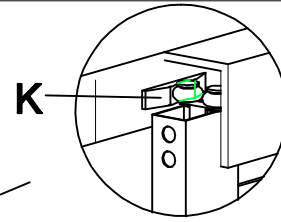
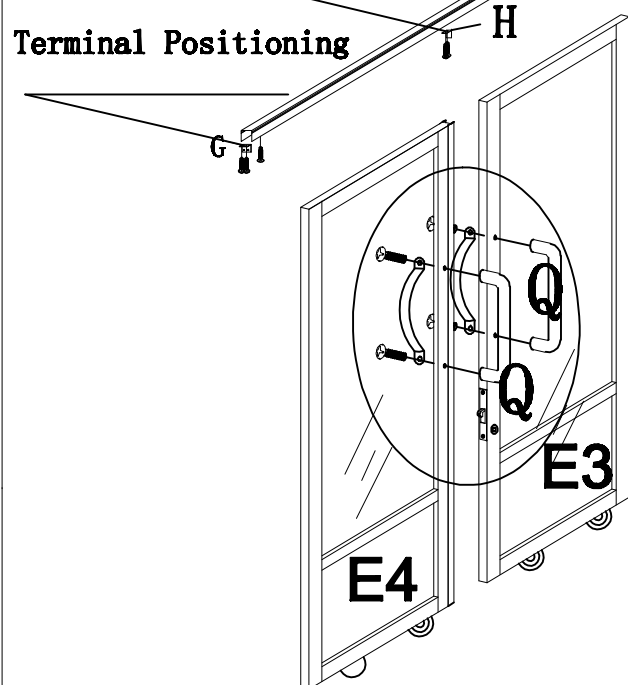
16



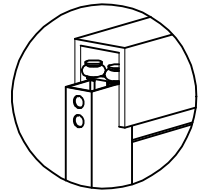
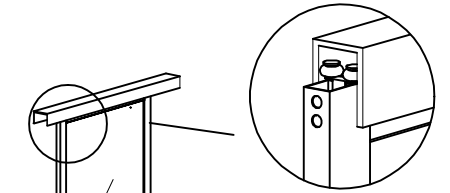
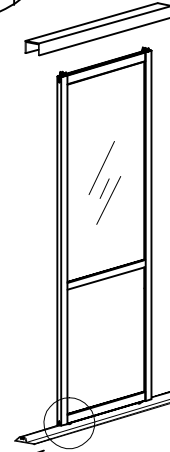
Terminal Positioning

Centralized Positioning

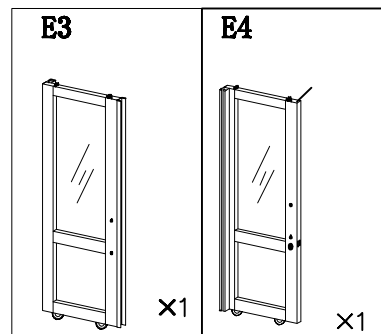
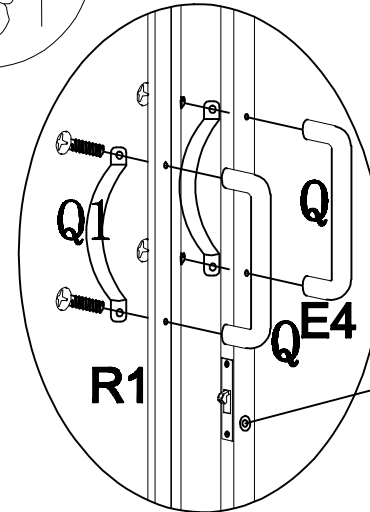
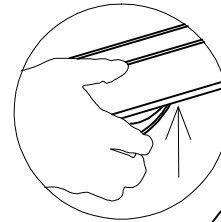
Terminal Positioning



K



Please adjust the wheels to keep the door in a straight position.



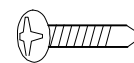
E3

E4

x1

x1

A



x6

G



x2

Q



x2

Q1



x2

K



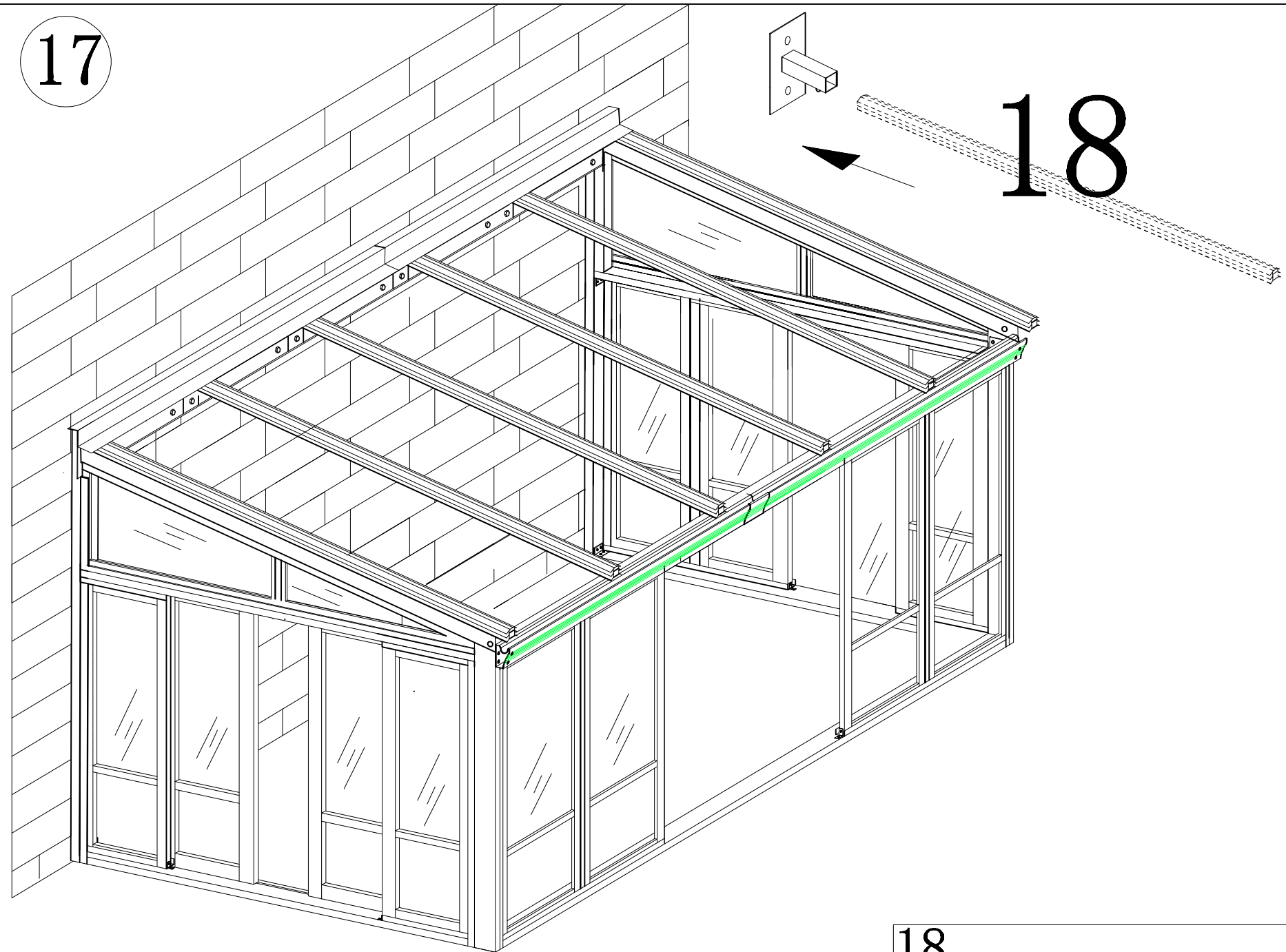
x2

H



x1

17

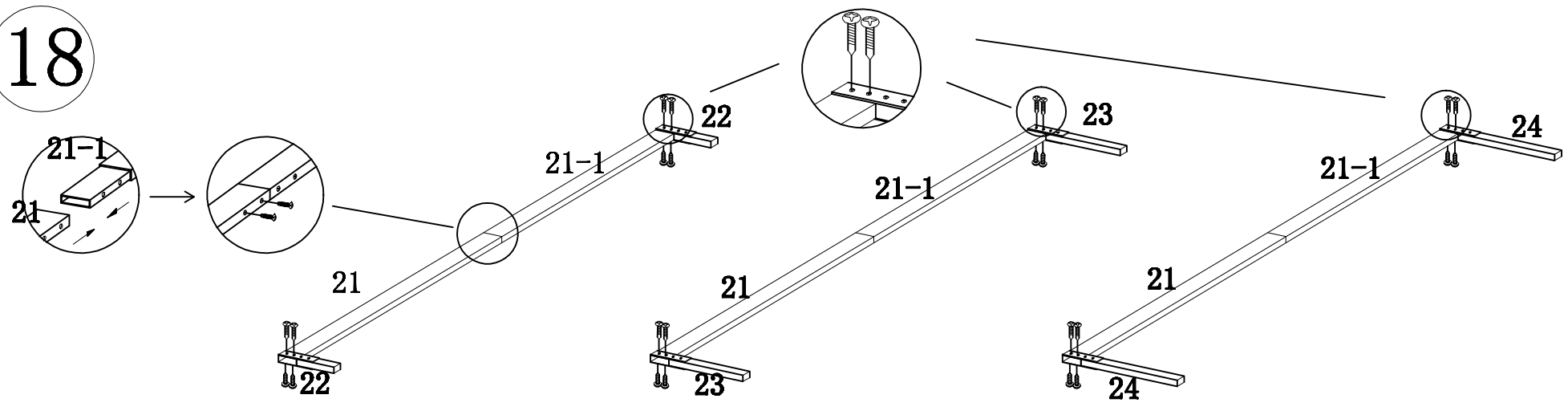


18

18

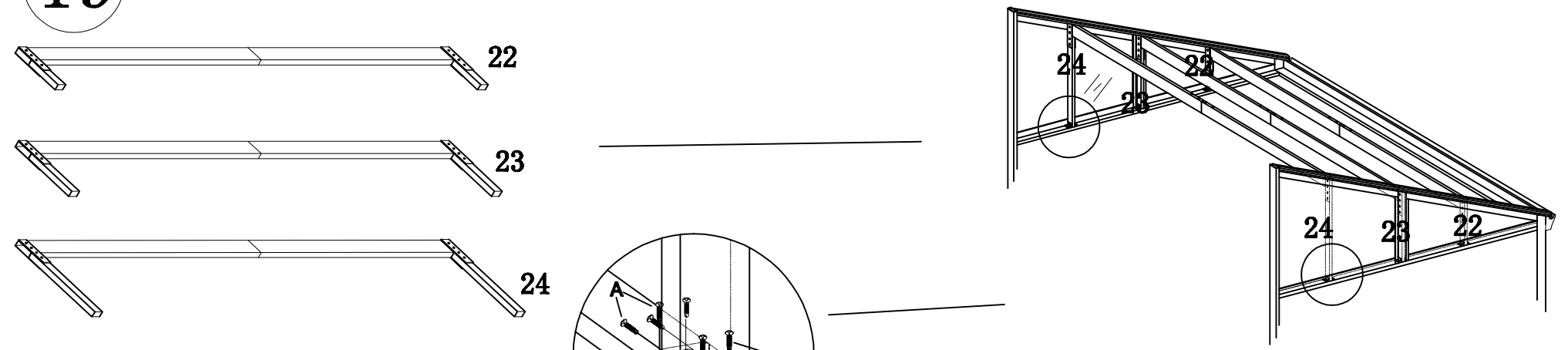
x4

18



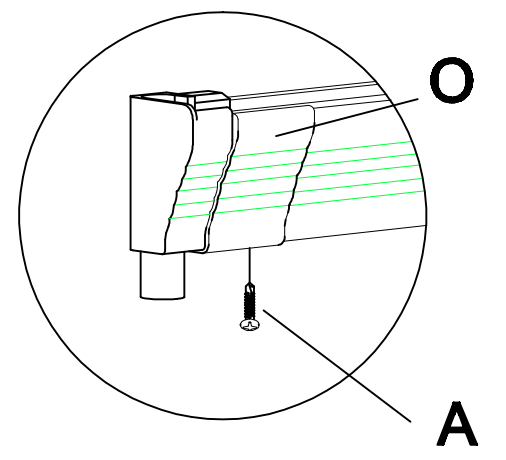
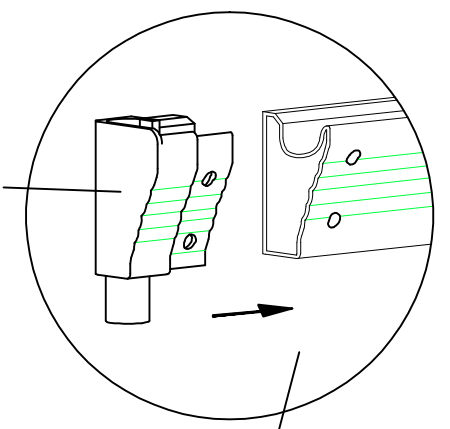
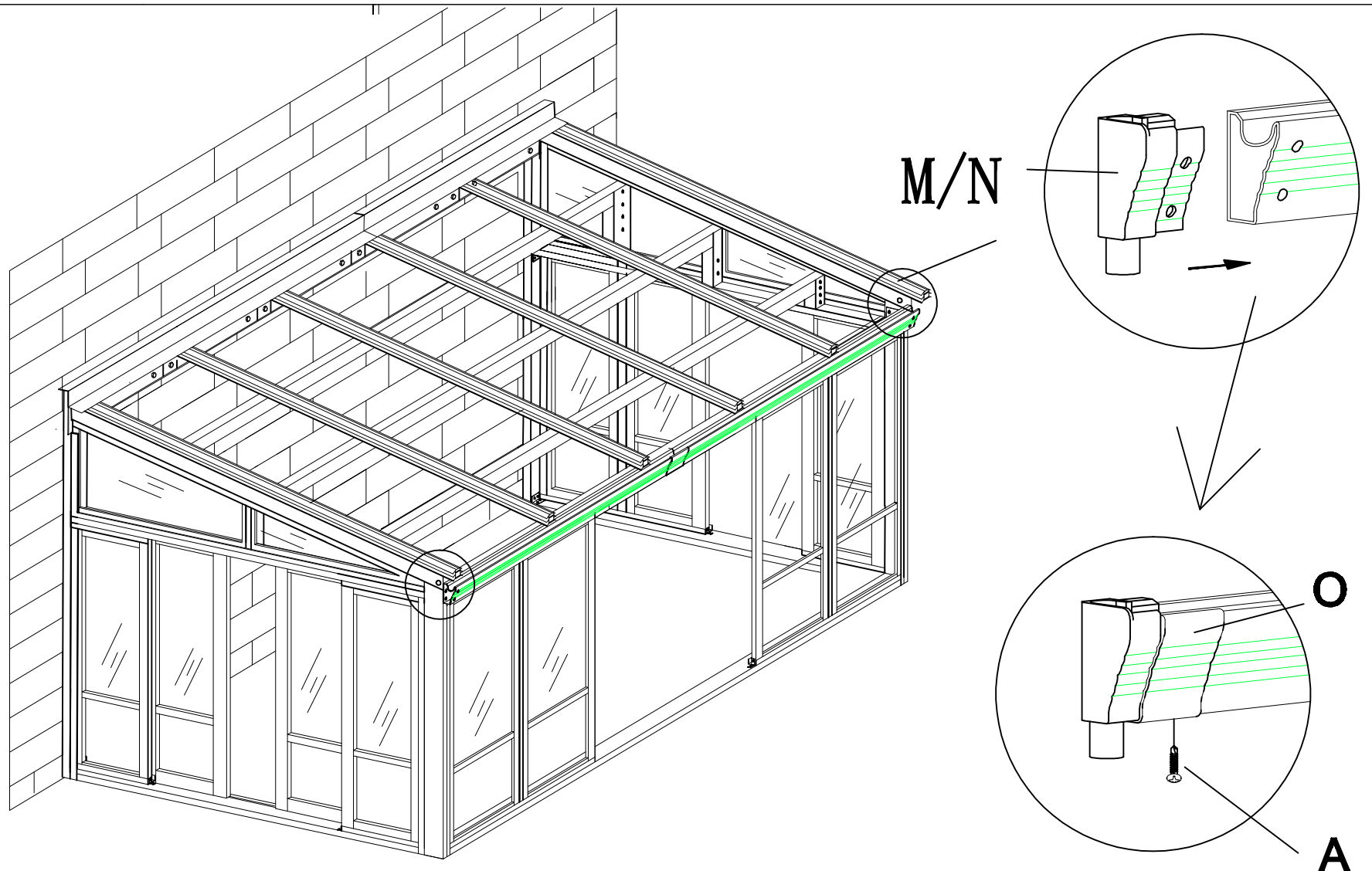
<p>21</p> <p>x3</p>	<p>22</p> <p>x2</p>	<p>23</p> <p>x2</p>	<p>24</p> <p>x2</p>	<p>A</p> <p>x30</p>	<p>21-1</p> <p>x3</p>
---------------------	---------------------	---------------------	---------------------	---------------------	-----------------------

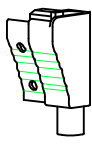
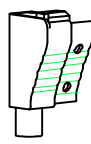
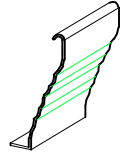
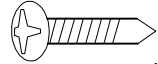
19



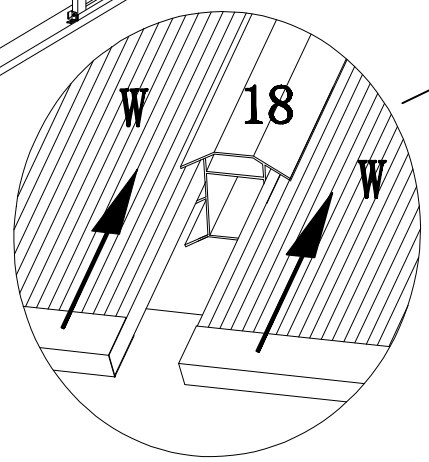
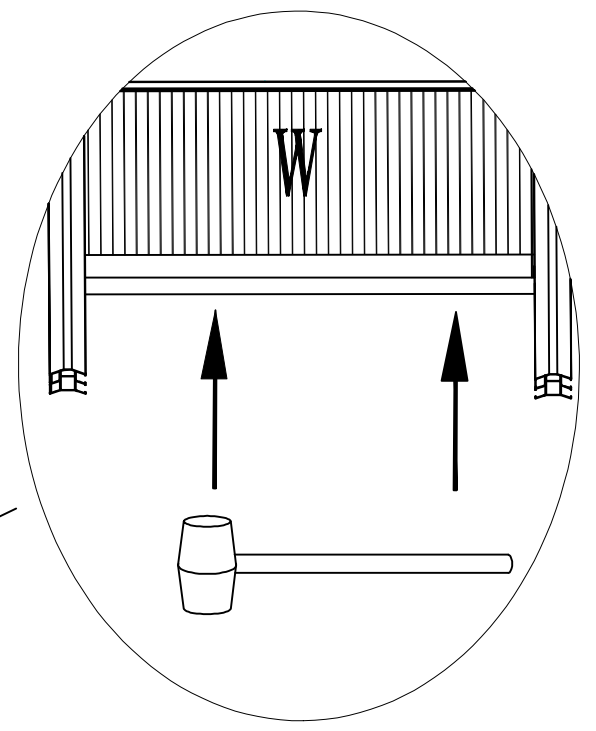
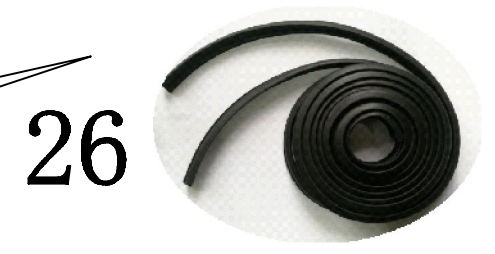
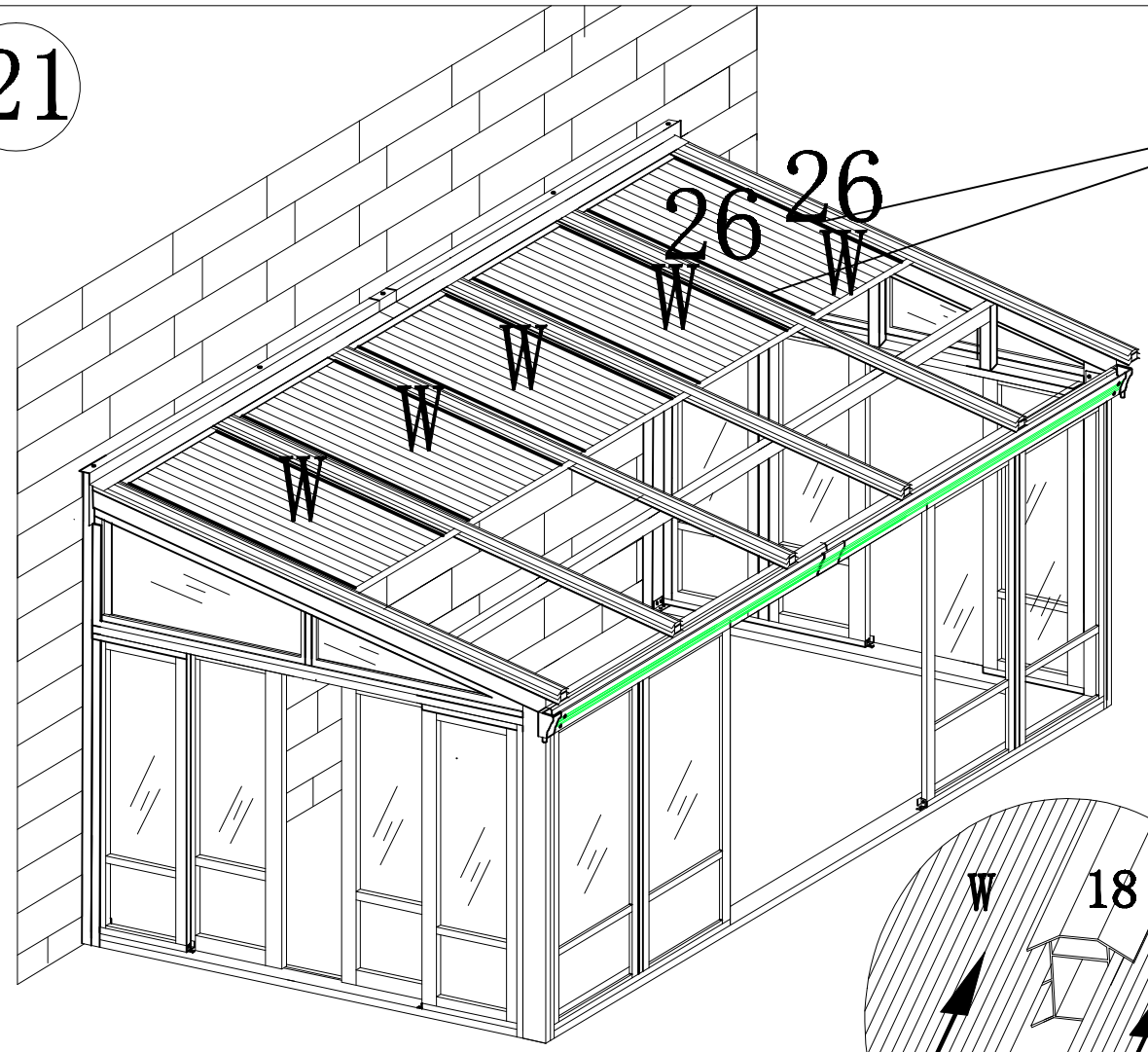
<p>A</p> <p>x48</p>	<p>G</p> <p>x12</p>
---------------------	---------------------

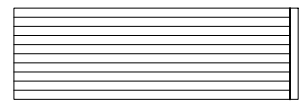
20



<b>M</b>  ×1	<b>N</b>  ×1	<b>O</b>  ×2	<b>A</b>  ×2
---	---	---	---

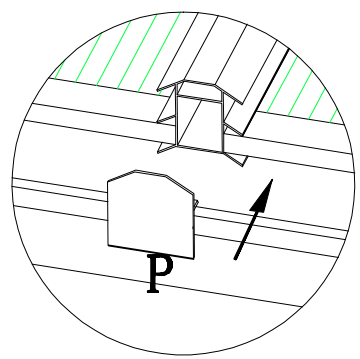
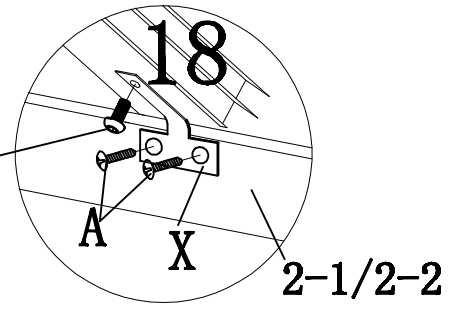
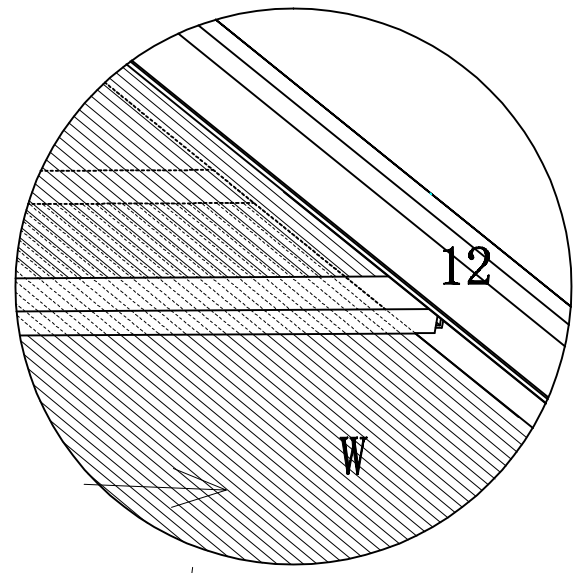
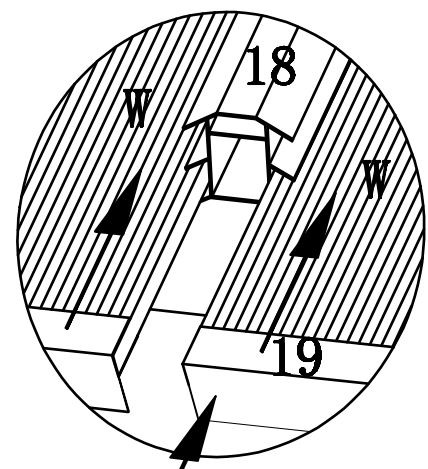
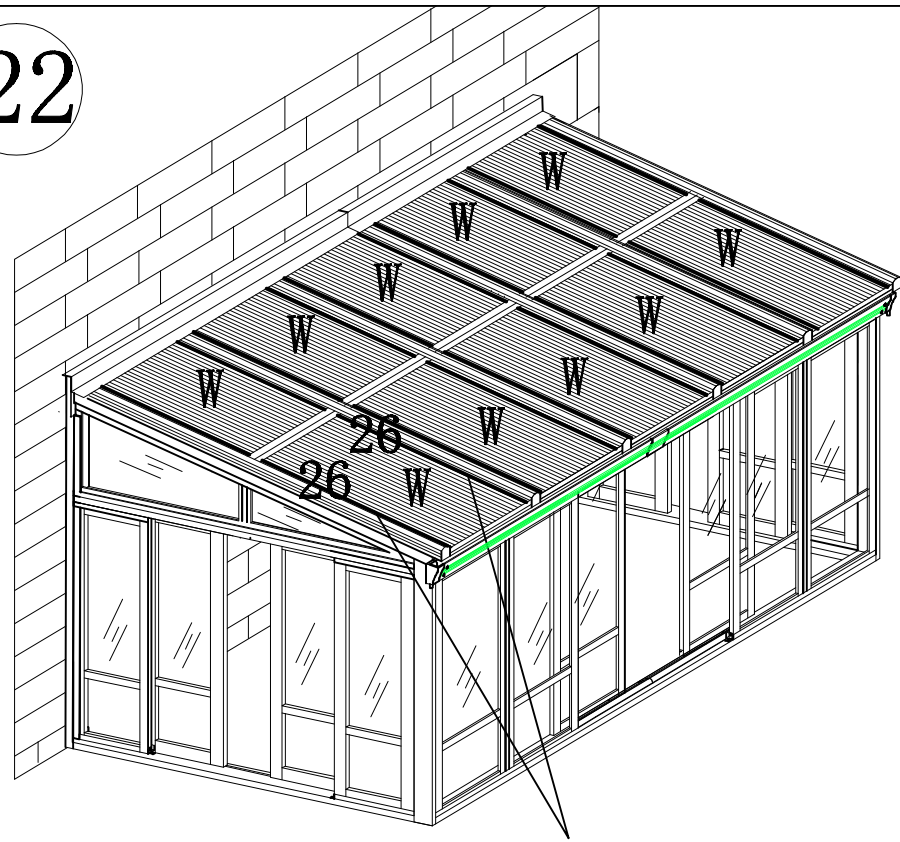
21



W	POLYCARBONATE  x5
---	--

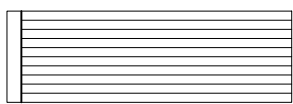

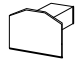
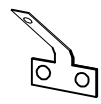
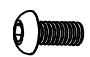
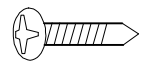
26	
----	---

22



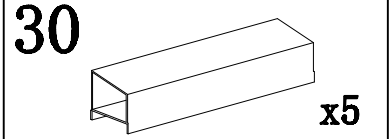
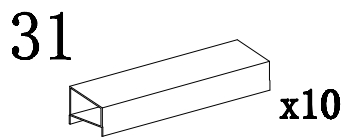
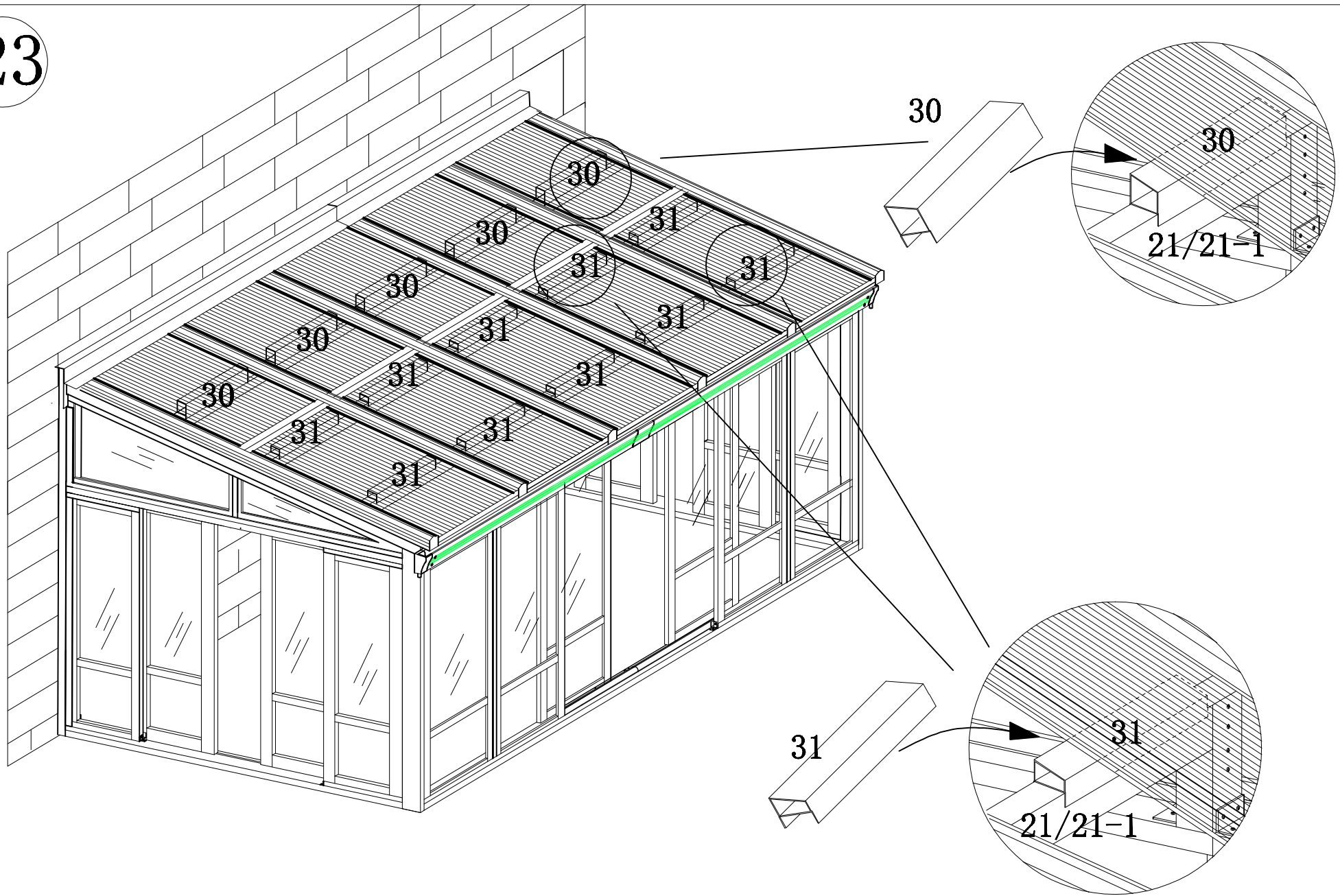
26

Y  
A X  
2-1/2-2

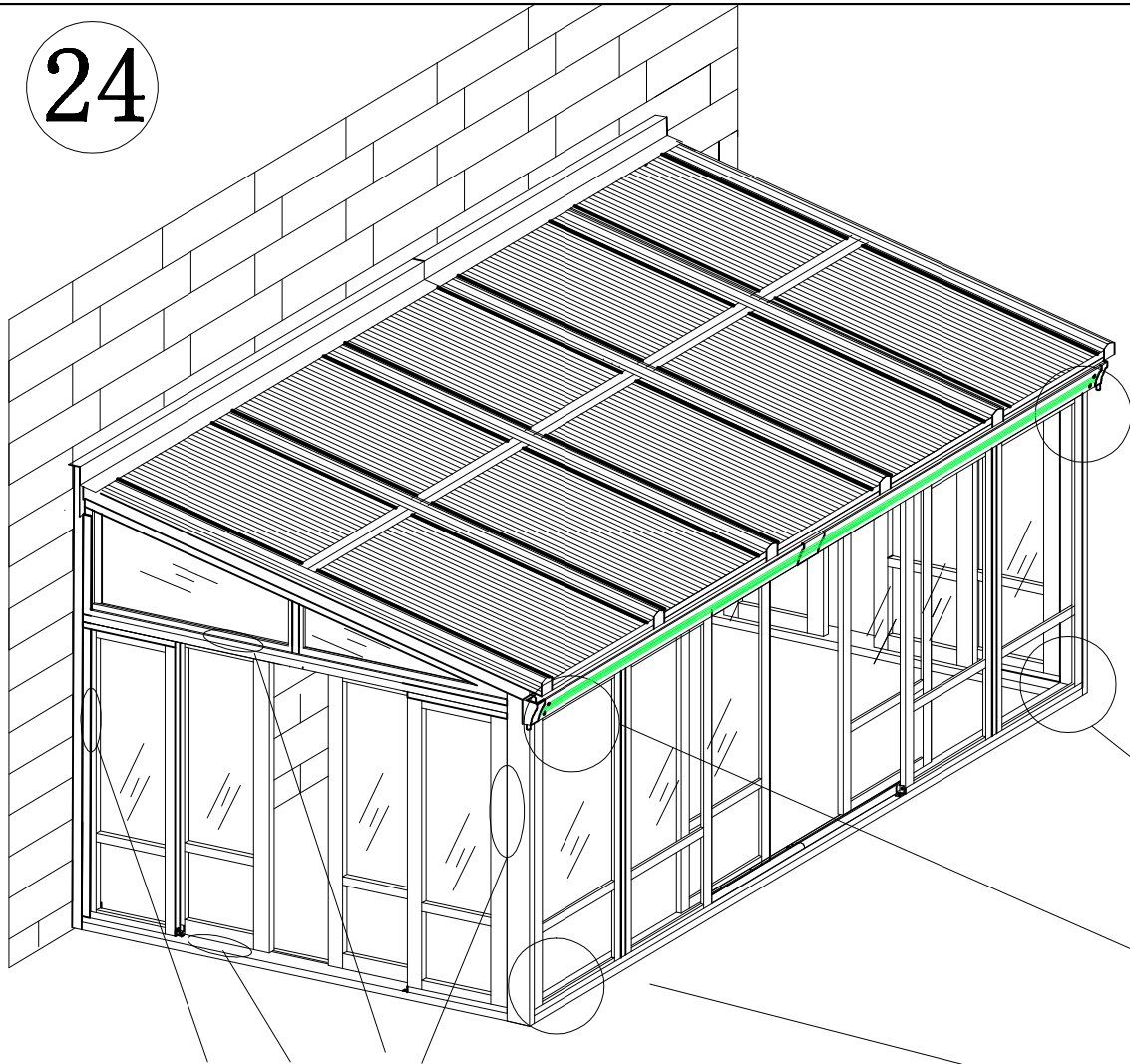
<p>W POLYCARBONATE</p>  <p>x5</p>	<p>19</p>  <p>x5</p>	<p>P</p>  <p>x6</p>	<p>X</p>  <p>x4</p>	<p>26</p>	<p>Y</p>  <p>x4</p>	<p>A</p>  <p>x8</p>
--	---	--	--	-----------	--	--



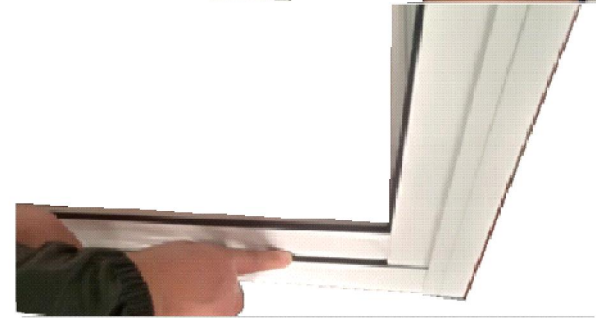
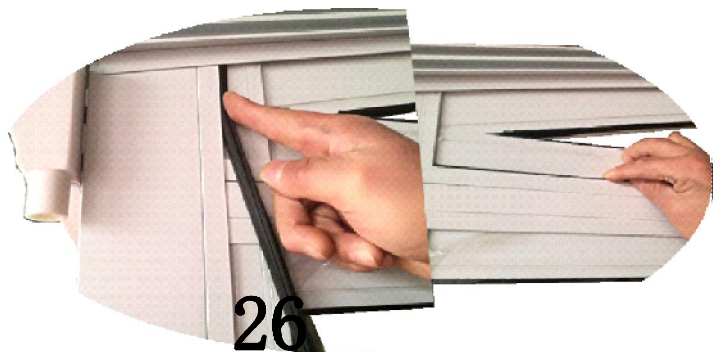
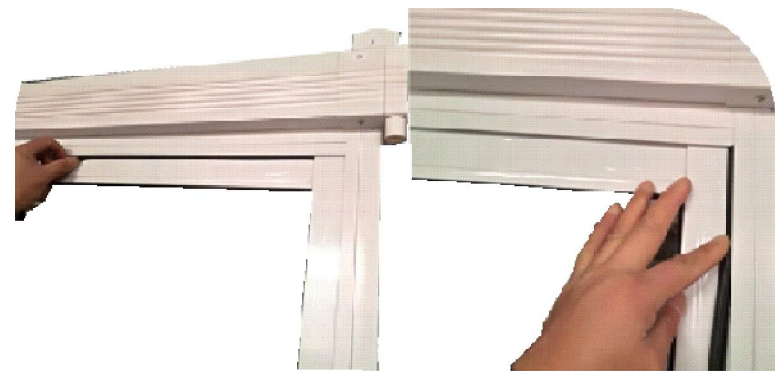
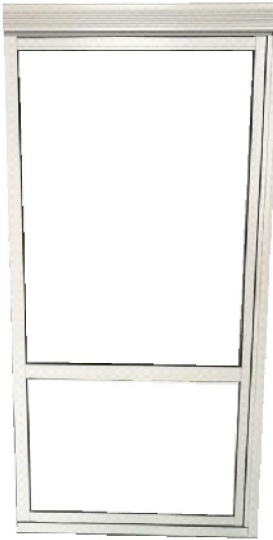
23



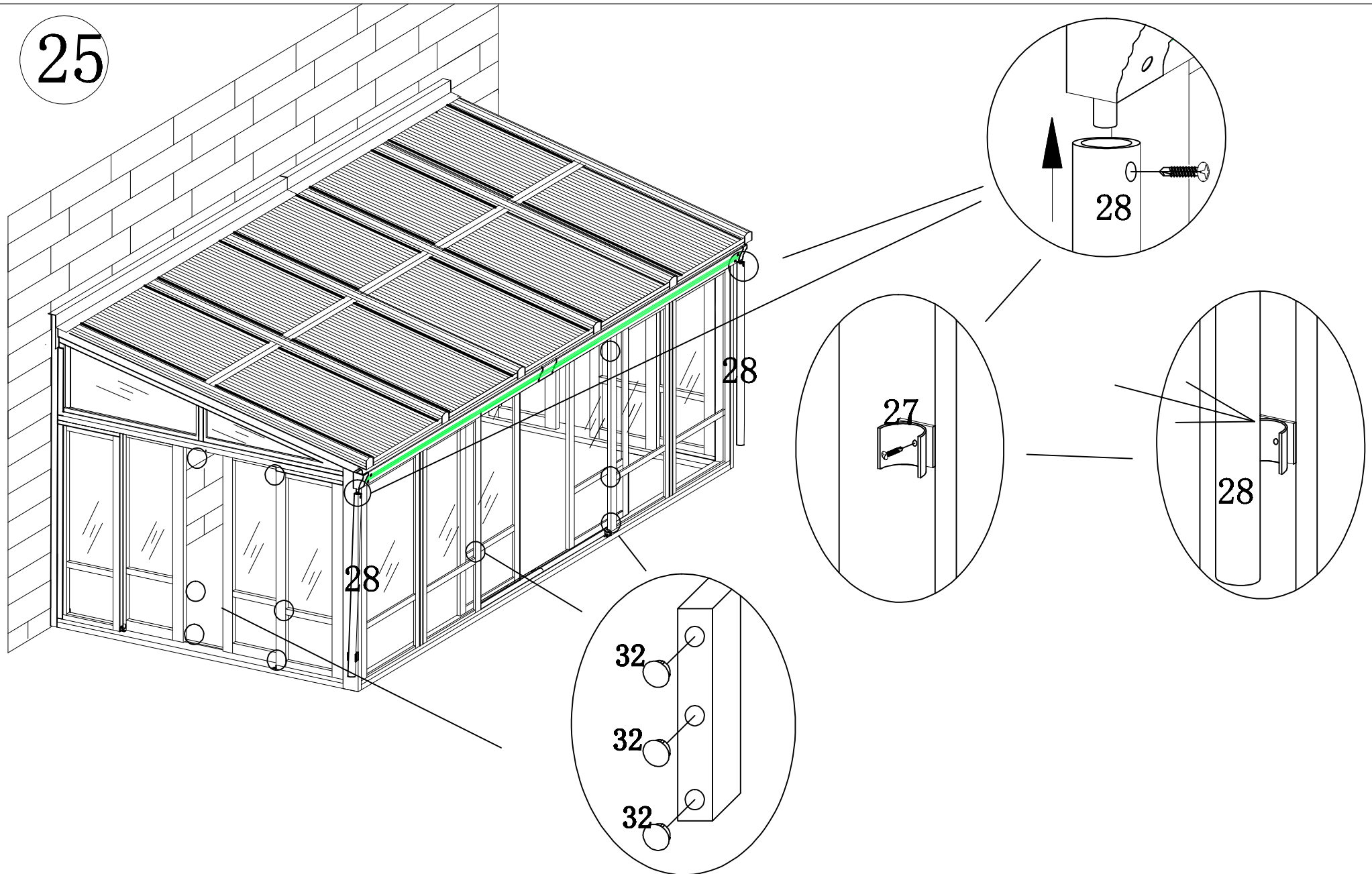
24

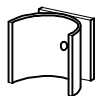
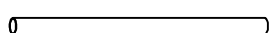
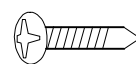



26

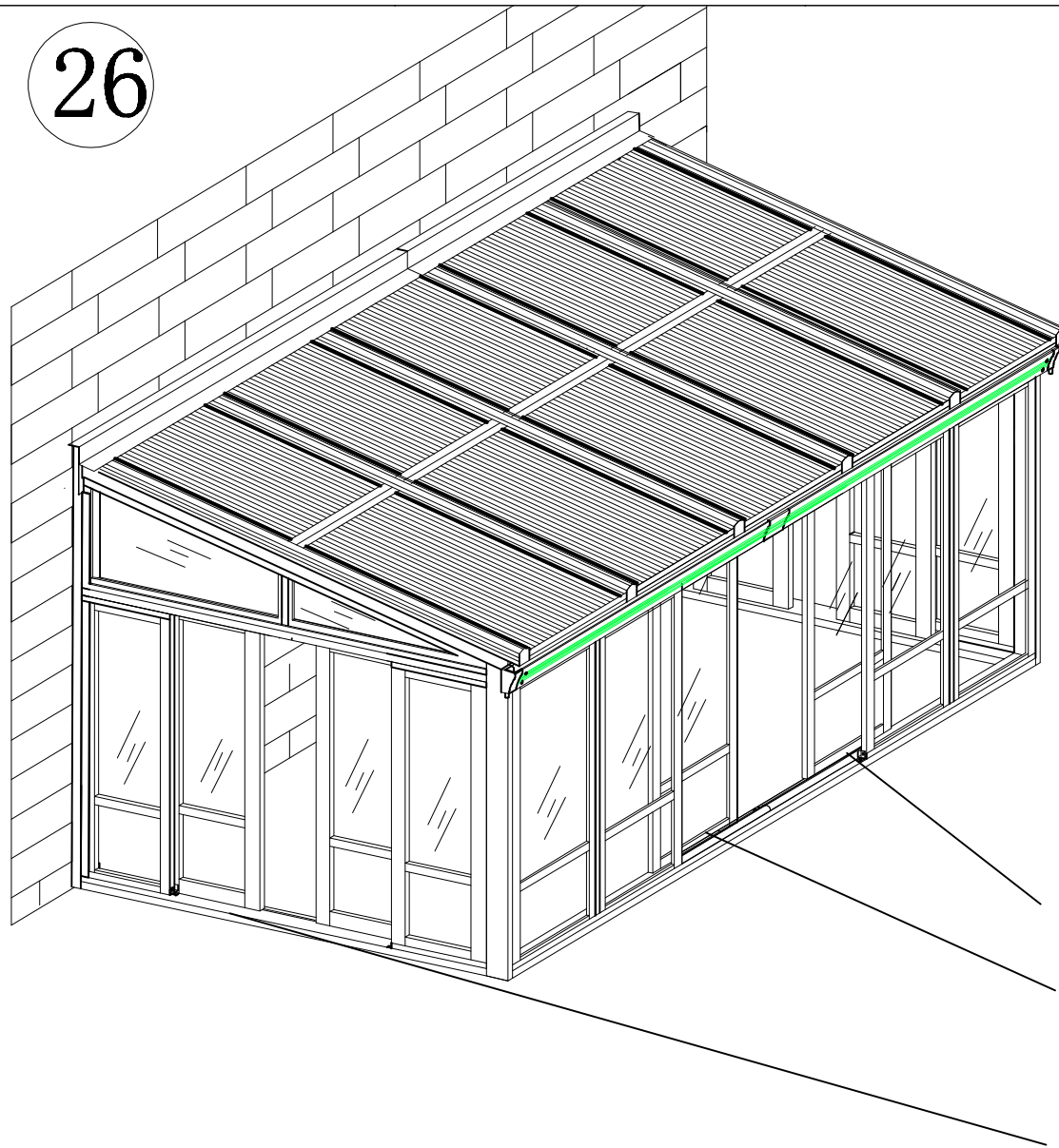


25



<p>27</p>  <p>x2</p>	<p>28</p>  <p>x2</p>	<p>A</p>  <p>x6</p>	<p>32</p>  <p>x50</p>
---	---	--	--

26



33



5m

x1