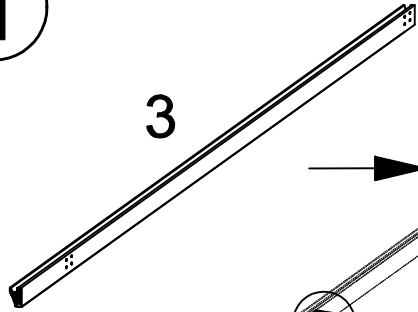
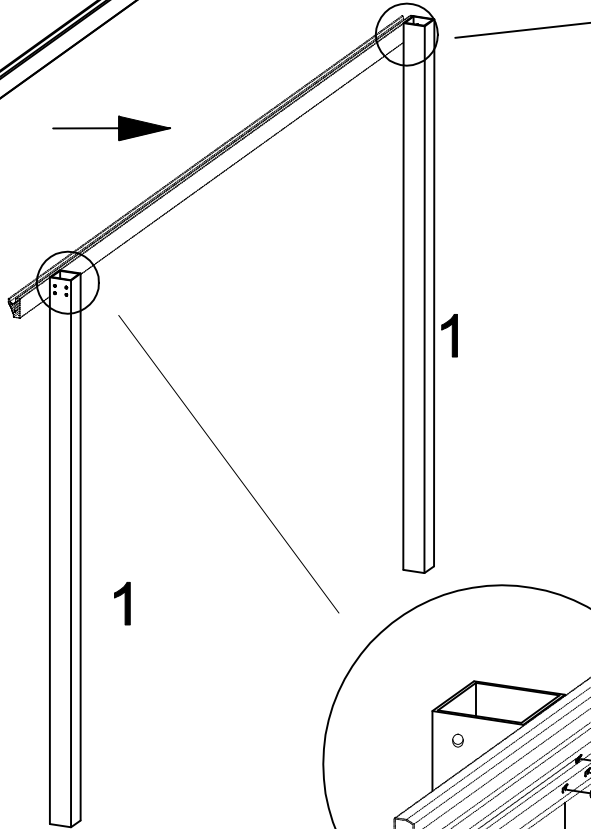


1		X4	18		X2	A		X76	Q		X2	G1		X1
2		X1	19		X2	B		X16	R		X1	J1		X2
3		X1	20		X1	C		X275	S		X8	M1		X24
4		X4	21		X1	D		X4	T		X3	H1		X20
5		X6	22		X2	E		X1	U		X3			
6		X2	23		X1	F		X1	V		X45	K1		X8
7		X2	24		X1	G		X1	W		X10	Y1		
8		X2	25		X1	I		X20	X		X5	Y2		X1
10		X4	26		X1	H		X1	Y		X5	Y3		
11		X2	27		X2	J		X1	Z		X1	A1		X2
12		X4	28		X10	K		X1	B1		X12	Y4		
13		X2	30		X6	L		X1	C1		X4	Y5		X1
14		X10	31		X2	M		X1	D1		X8	S1		
15		X2	32		X2	N		X1	E1		X2	S2		X2
16		X2				O		X2	F1		X1			
17		X2				P		X2						

1

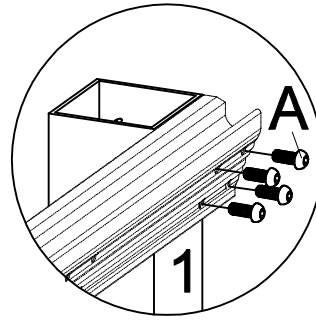


3



1

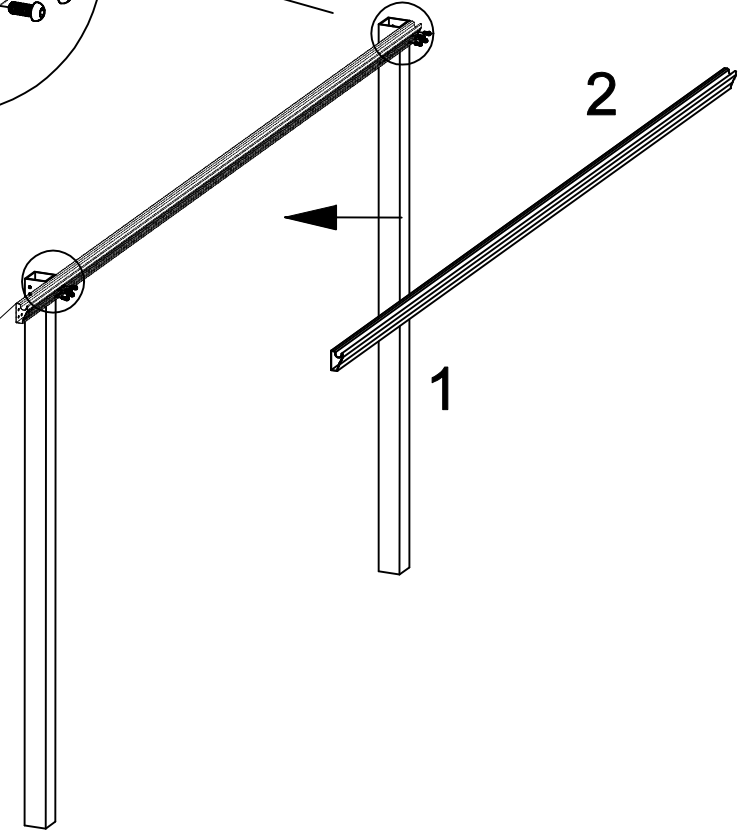
1



1

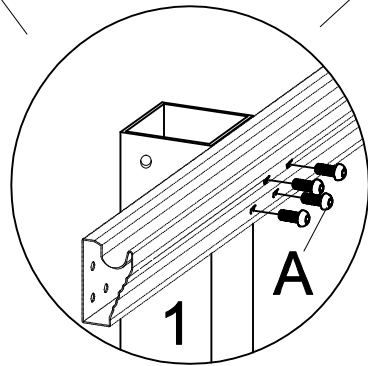
A

1



2

1

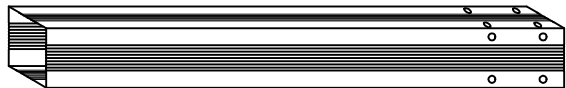


1

A

4

1



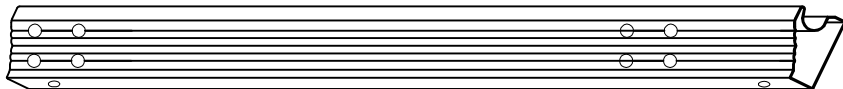
X4

2



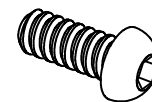
X1

3



X1

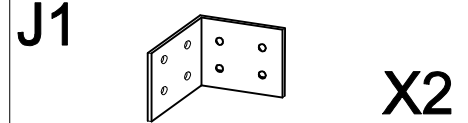
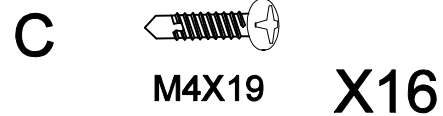
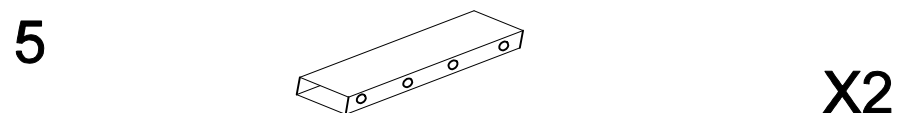
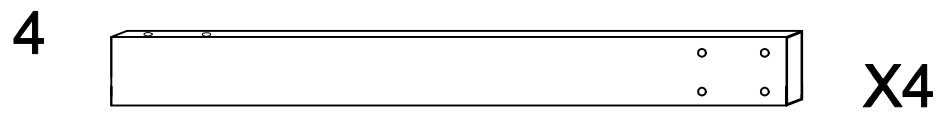
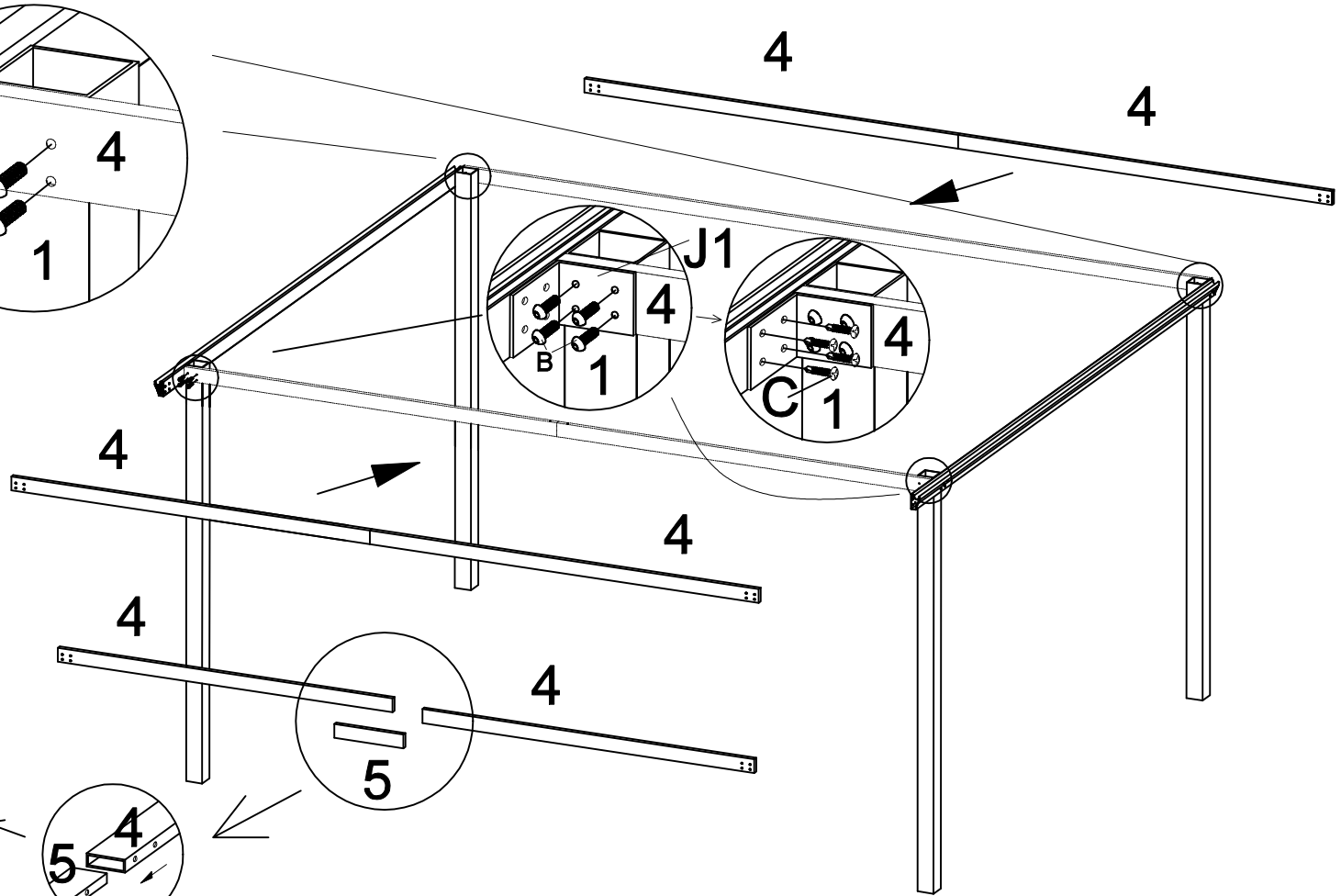
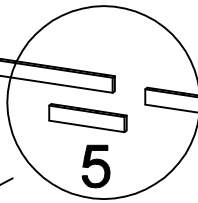
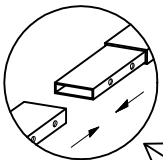
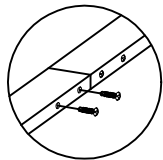
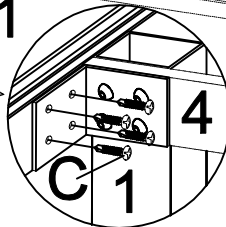
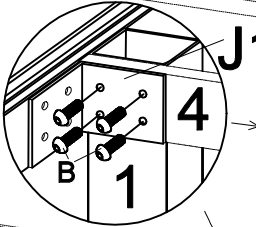
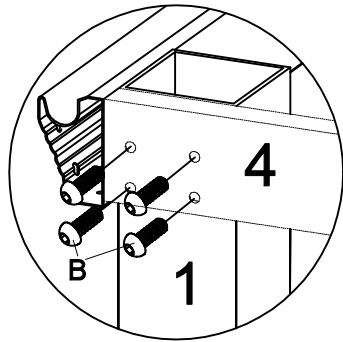
A



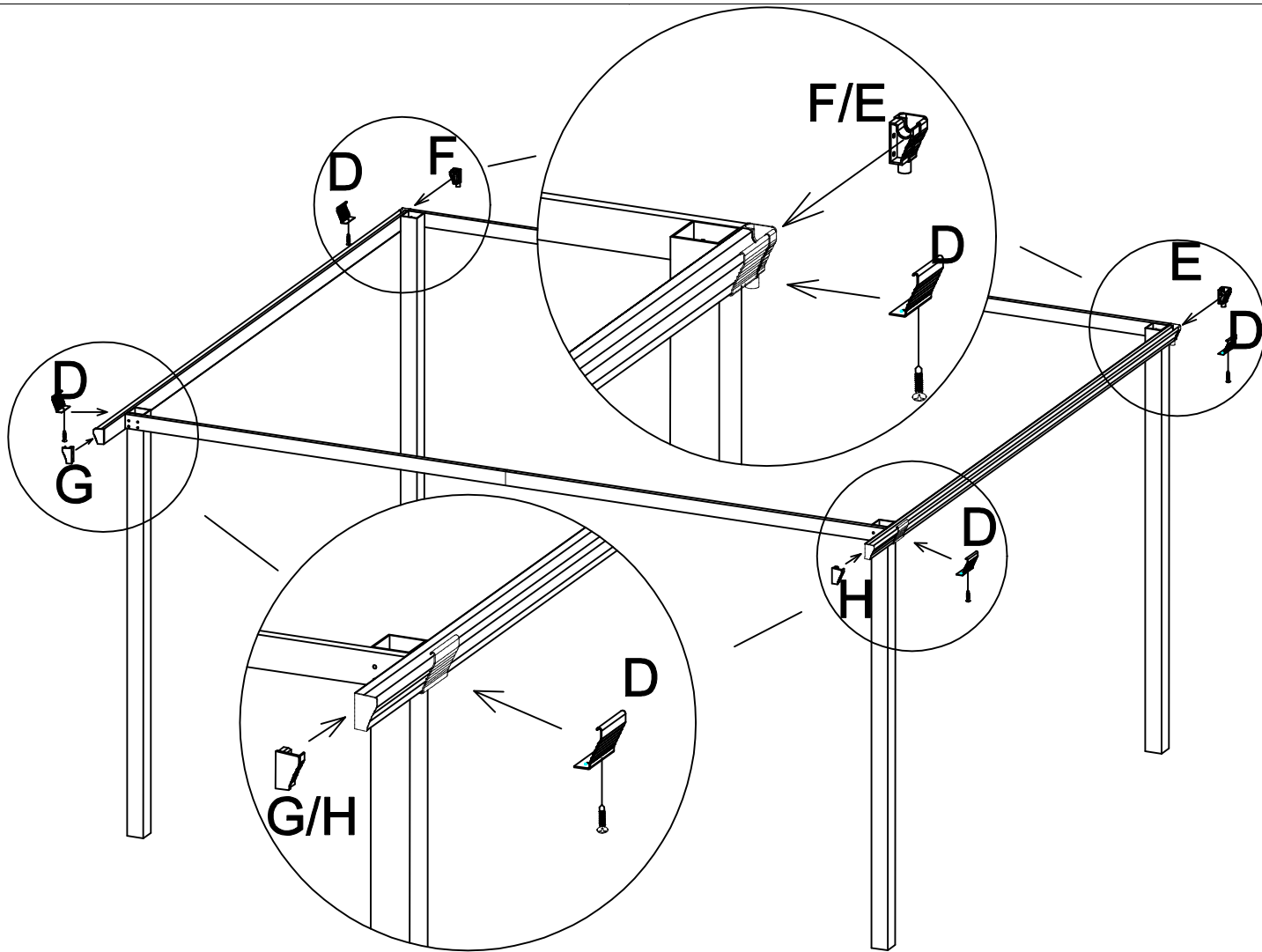
M6X15




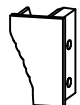


X16

2

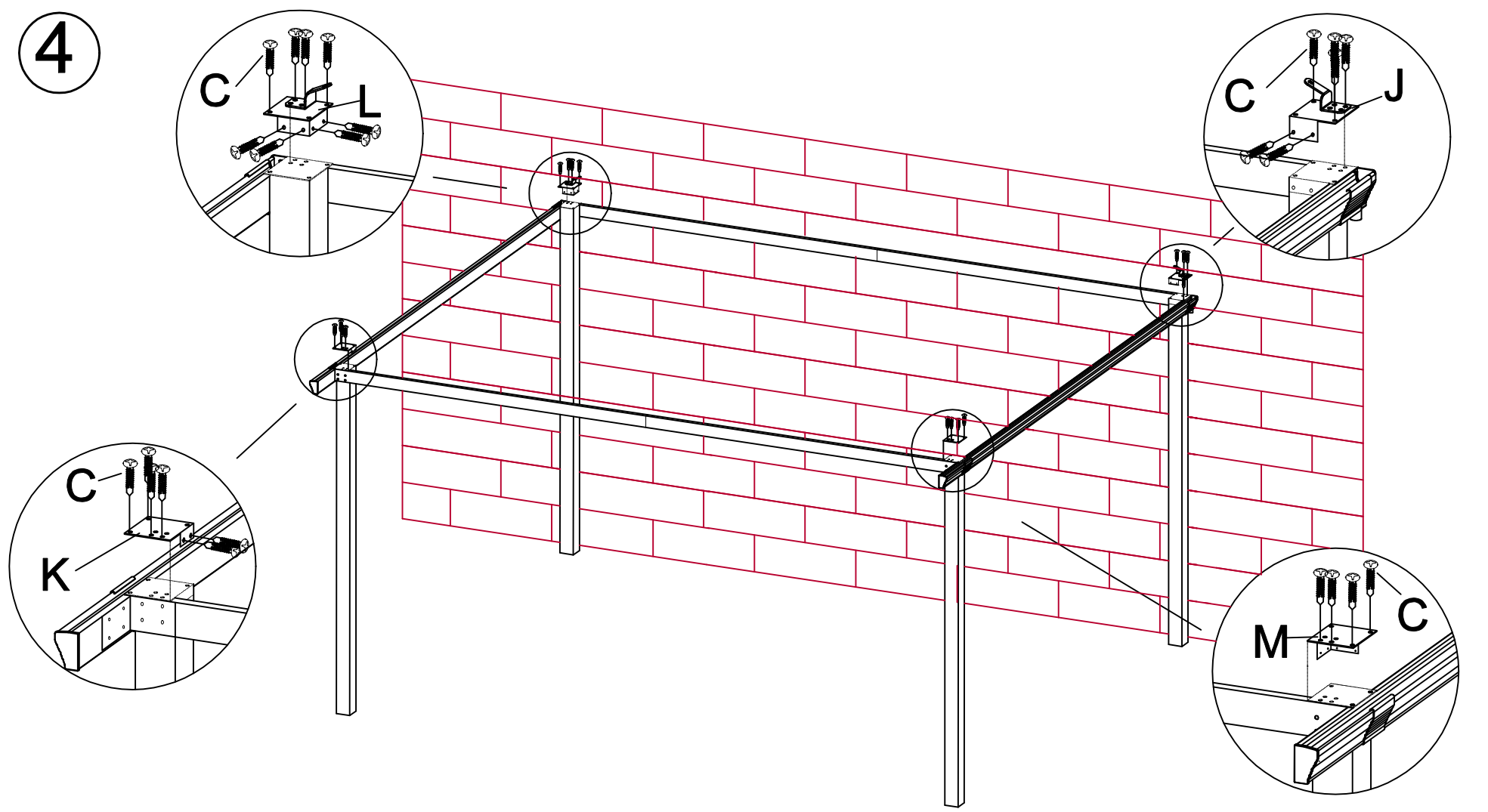


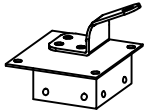
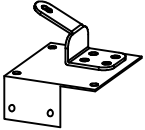

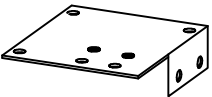
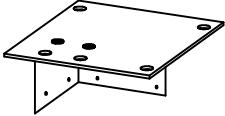
3



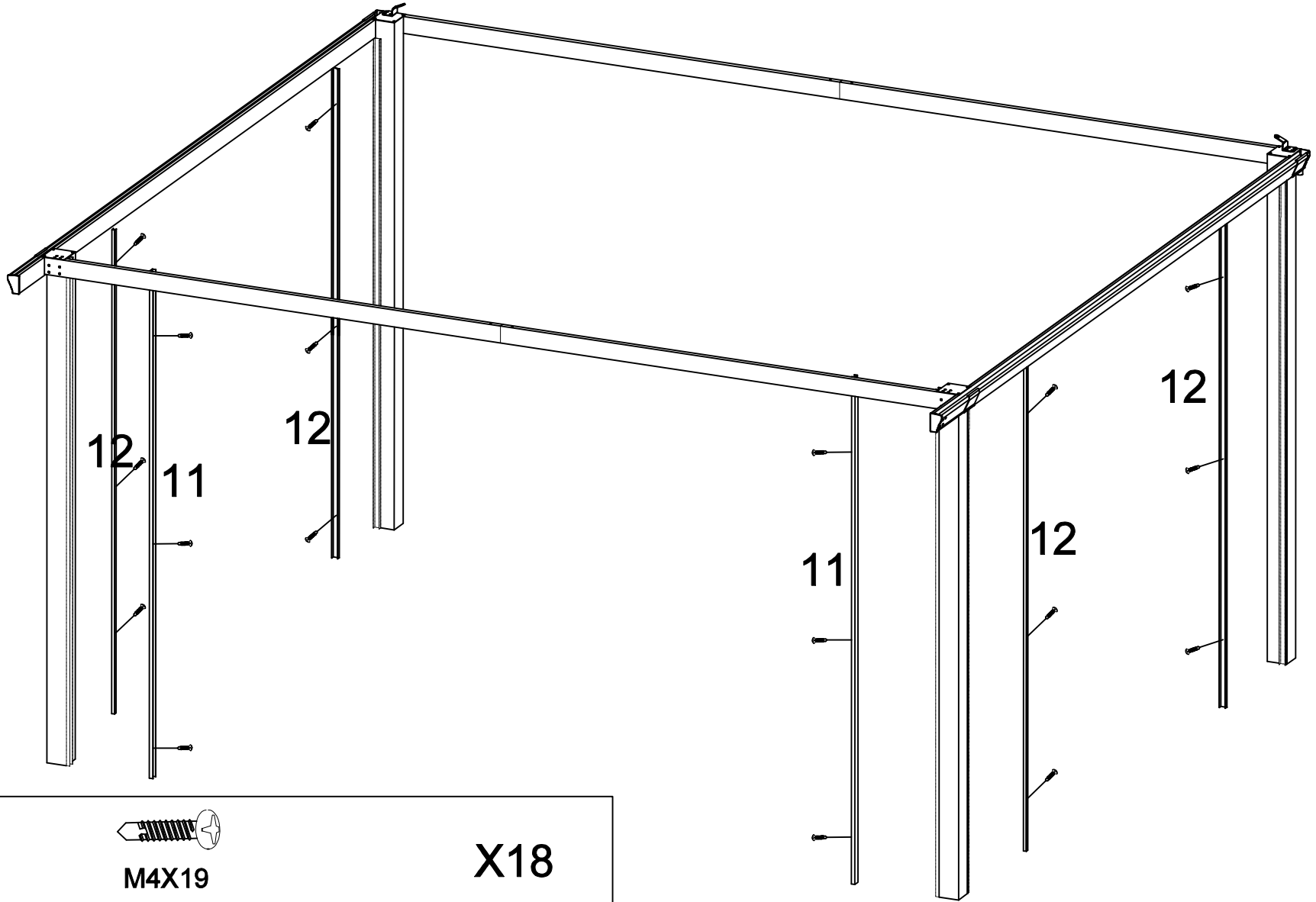
<p>D</p>  <p>X4</p>	<p>E</p>  <p>X1</p>	<p>F</p>  <p>X1</p>
<p>G</p>  <p>X1</p>	<p>H</p>  <p>X1</p>	<p>C</p>  <p>M4X19</p> <p>X4</p>

4



<p>L</p>  <p>X1</p>	<p>J</p>  <p>X1</p>
<p>C</p>  <p>M4X19</p> <p>X32</p>	<p>K</p>  <p>X1</p>
<p>M</p>  <p>X1</p>	

5



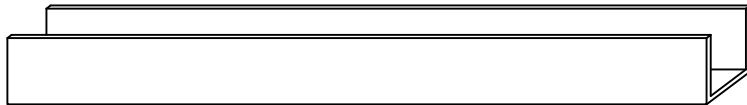
C



M4X19

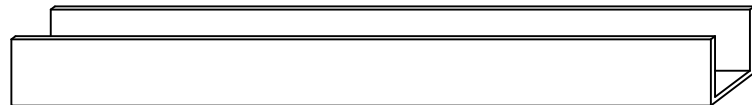
X18

11



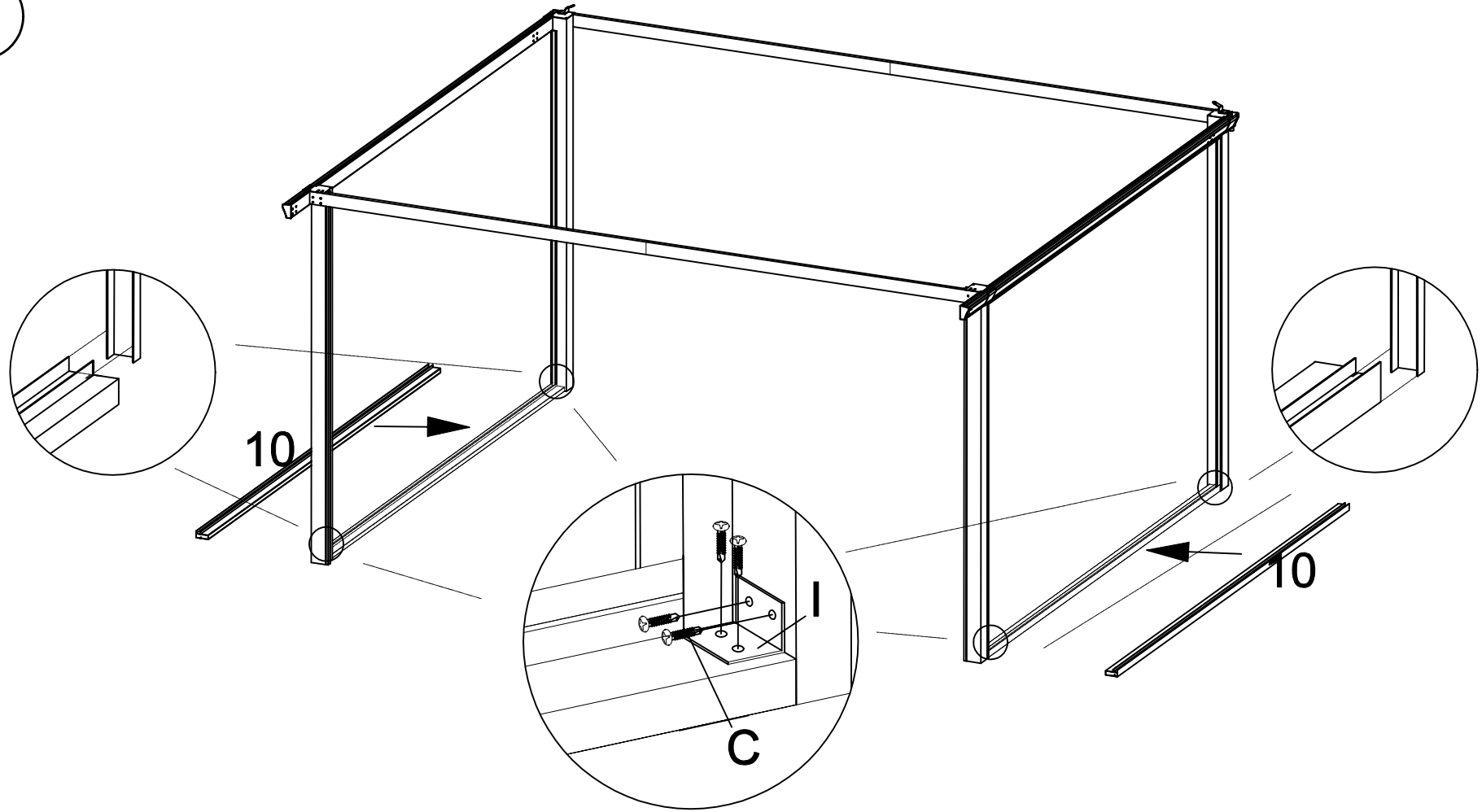
X2

12

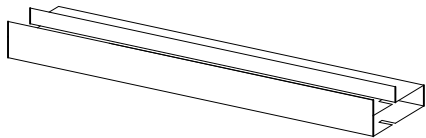


X4

6

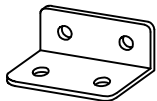


10



X2

I



X4

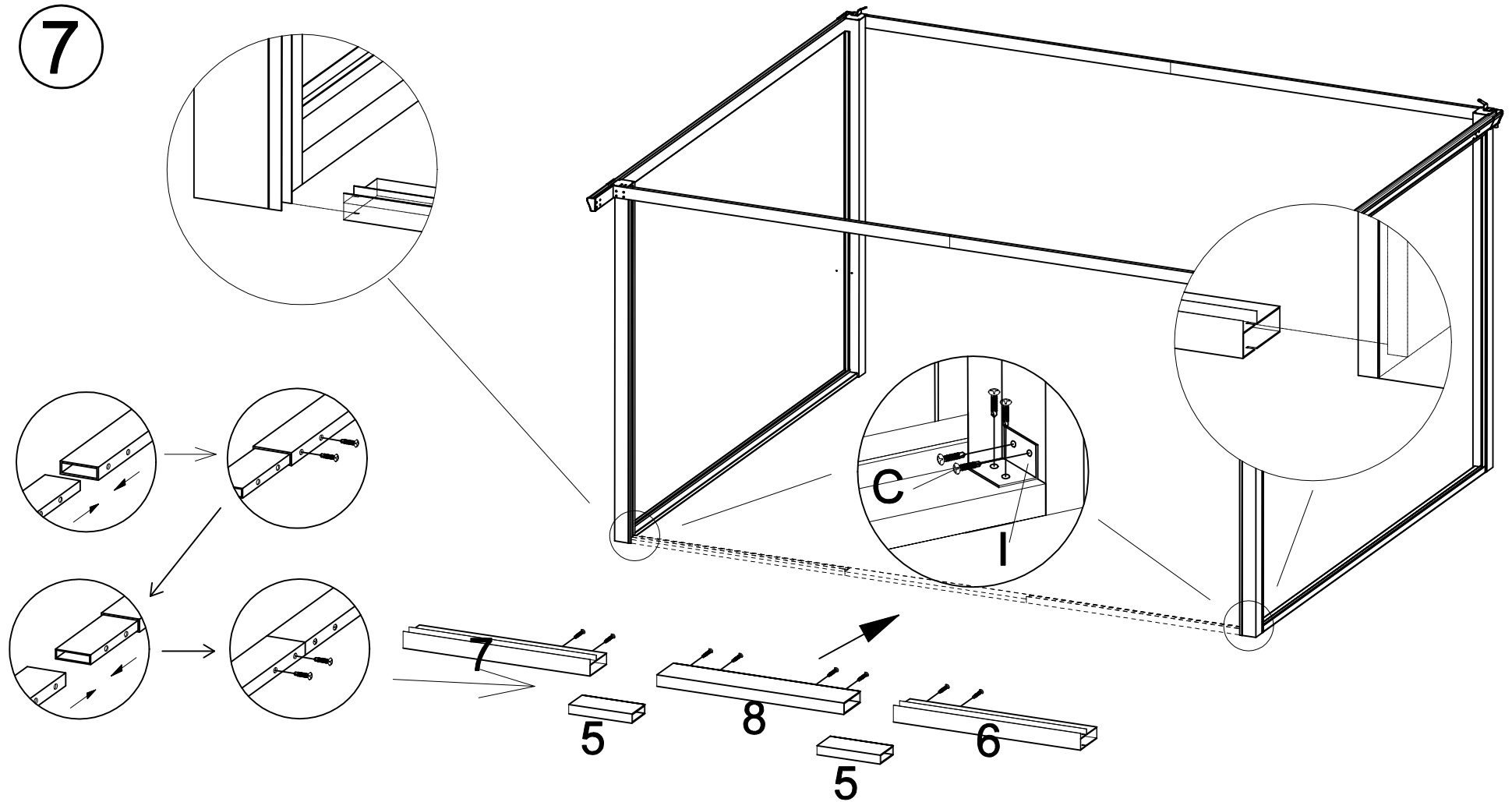
C

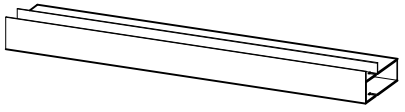
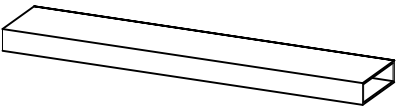
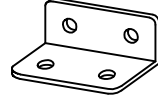
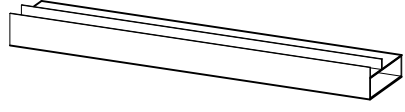
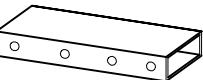



M4X19

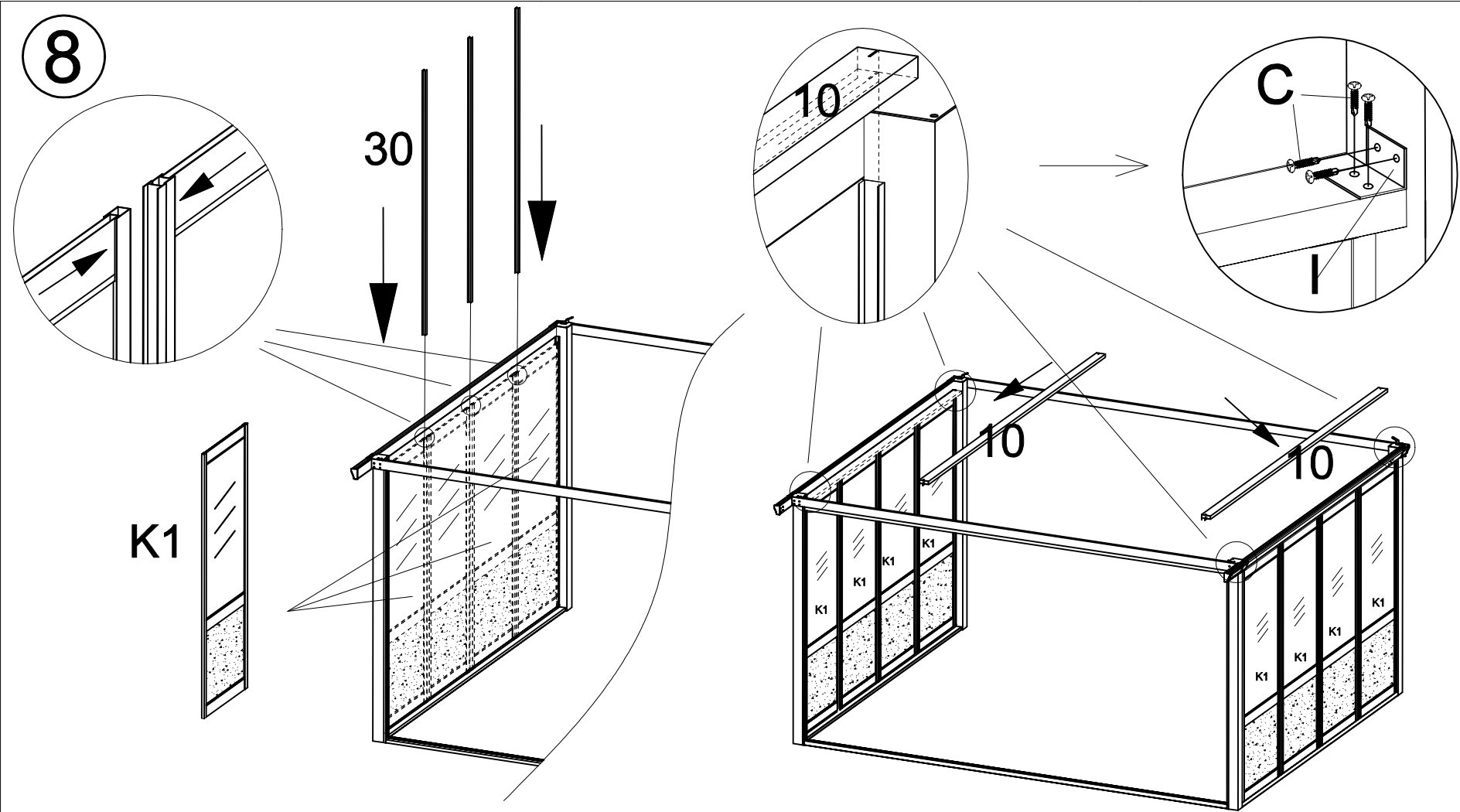
X16


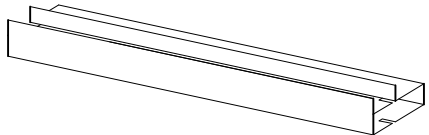
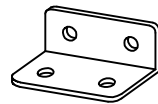
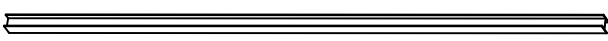

7



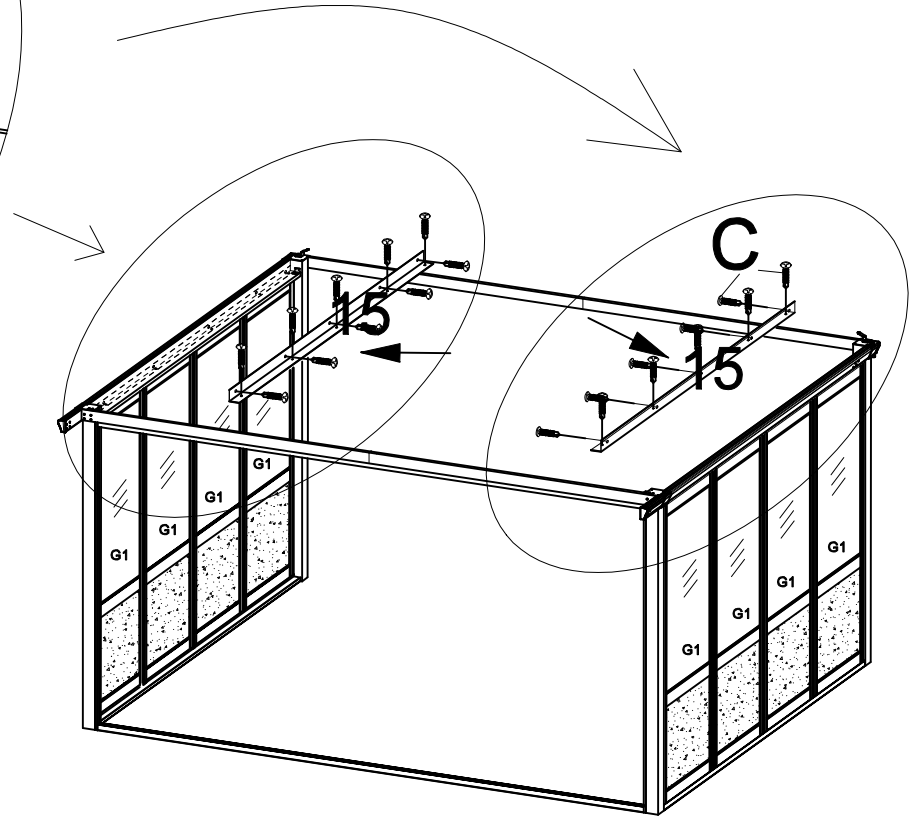
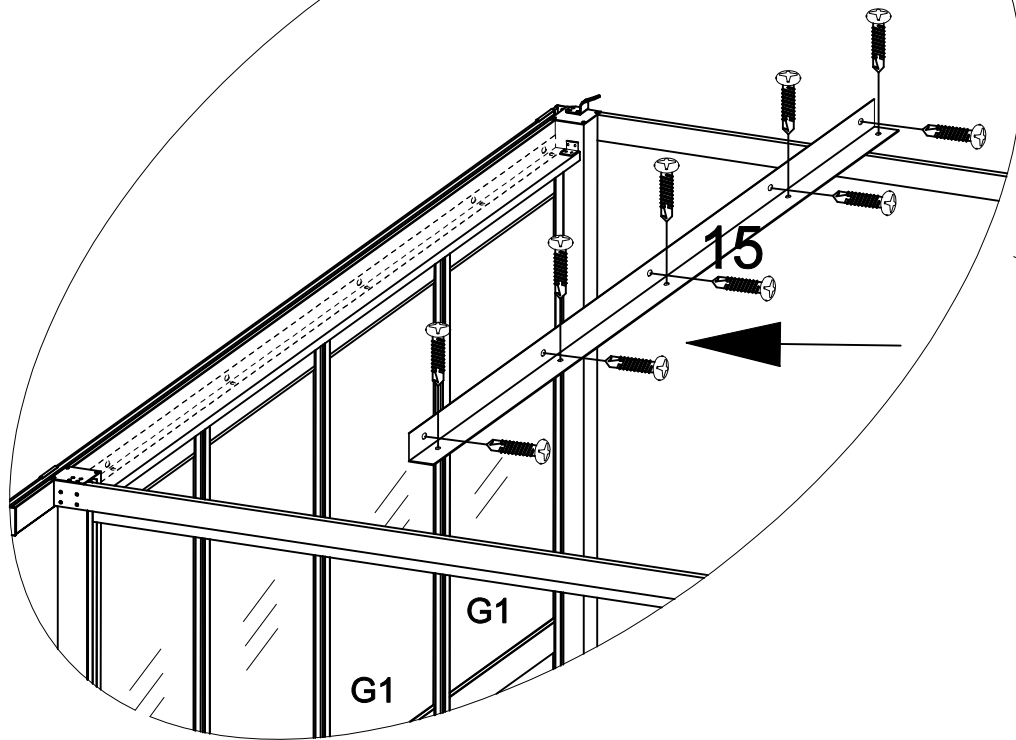
<p>6</p>  <p>X1</p>	<p>8</p>  <p>X1</p>	<p>I</p>  <p>X2</p>
<p>7</p>  <p>X1</p>	<p>5</p>  <p>X2</p>	<p>C</p>  <p>M4X19</p> <p>X16</p>

8

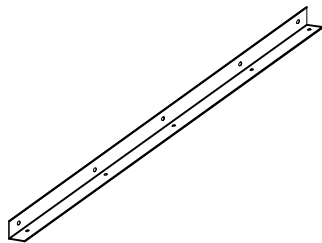


 <p>K1</p>	<p>10</p>  <p>X2</p>	<p>I</p>  <p>X4</p>
<p>X8</p>	<p>30</p>  <p>X6</p>	<p>C</p>  <p>M4X19 X16</p>

9



15



X2

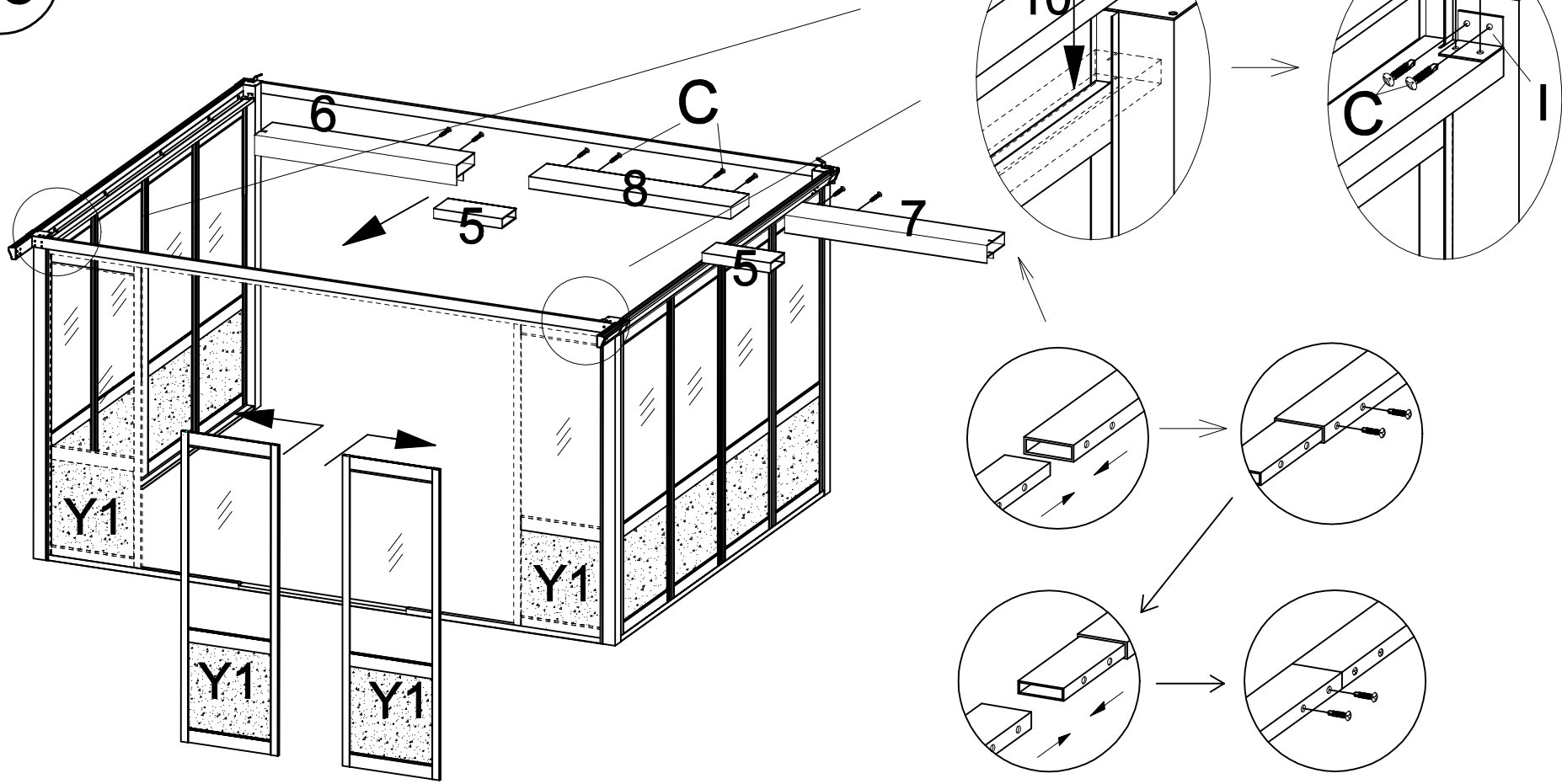
C


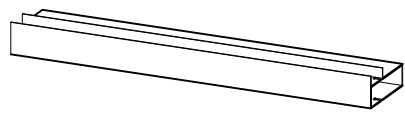
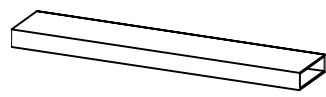
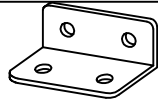
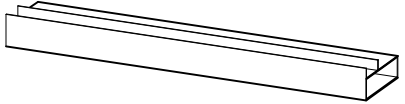
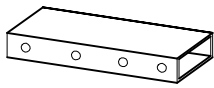



M4X19

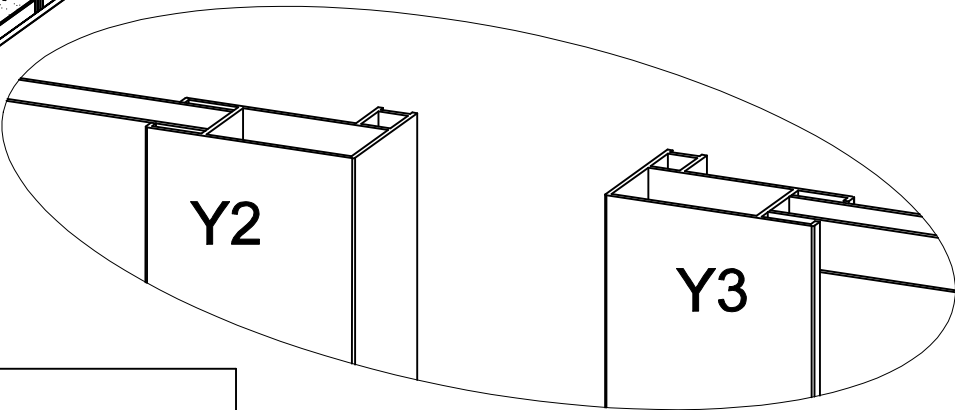
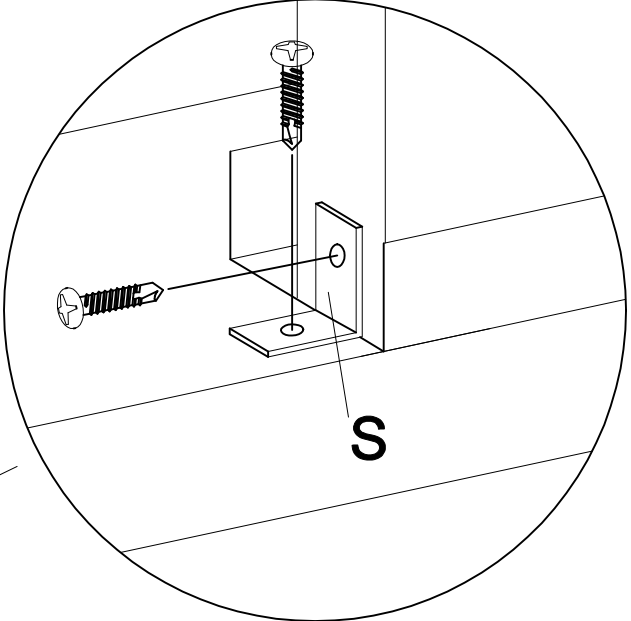
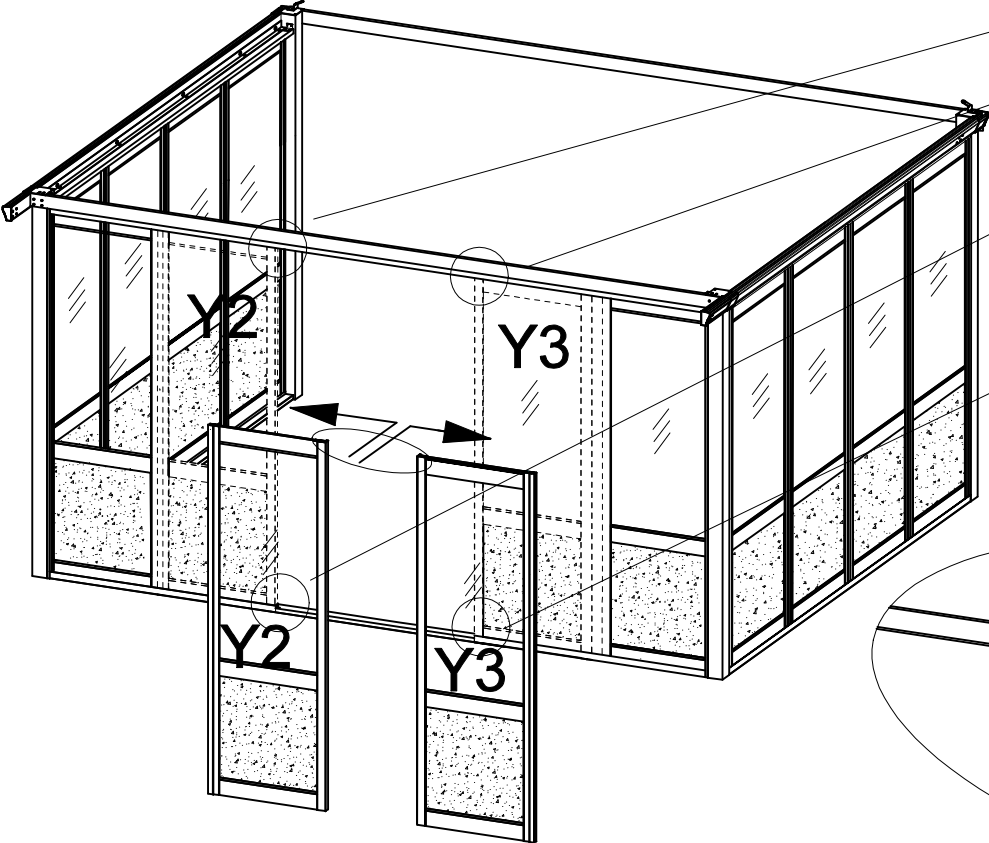
X20

10



 <p>Y1</p> <p>X2</p>	 <p>6</p> <p>X1</p>	 <p>8</p> <p>X1</p>	 <p>I</p> <p>X2</p>
	 <p>7</p> <p>X1</p>	 <p>5</p> <p>X2</p>	 <p>C</p> <p>M4X19</p> <p>X8</p>

11

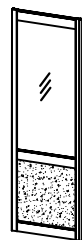


Y2



X1

Y3



X1

S



X4

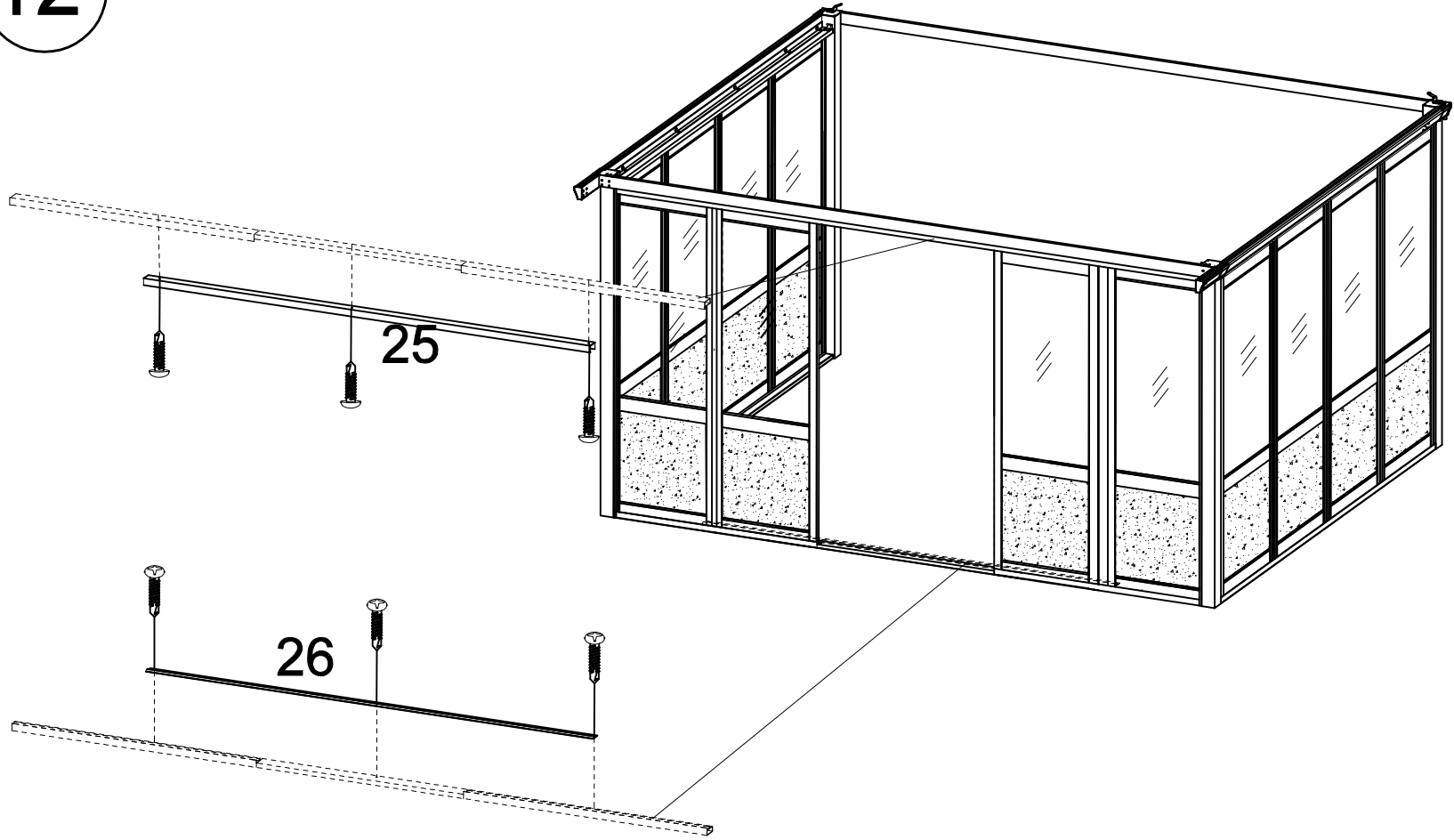
C

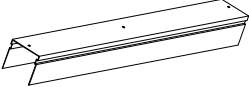




M4X19

X8

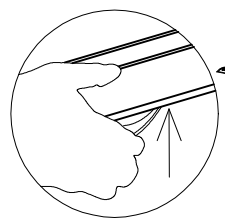
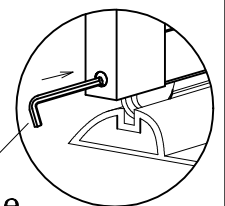
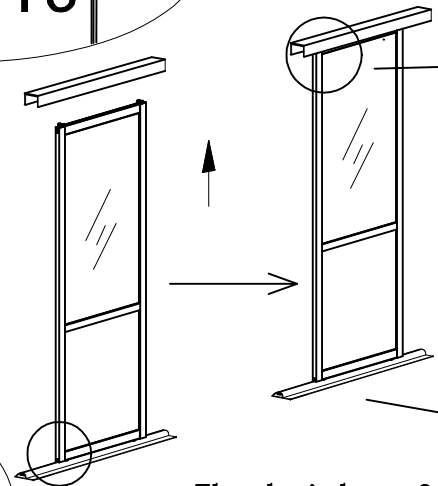
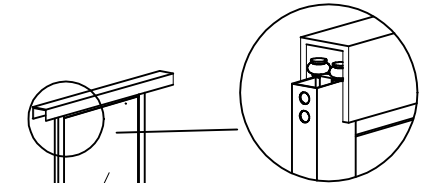
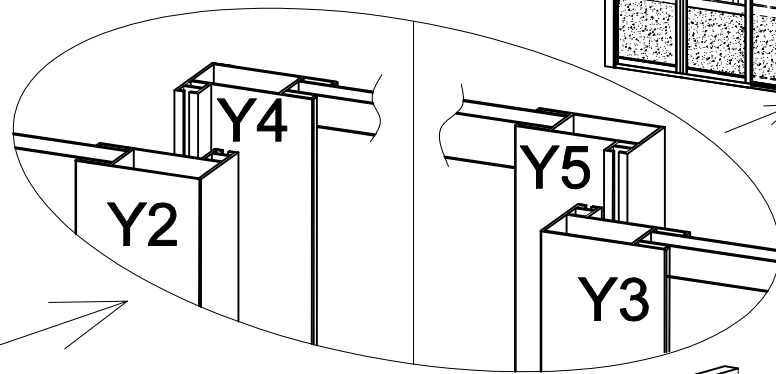
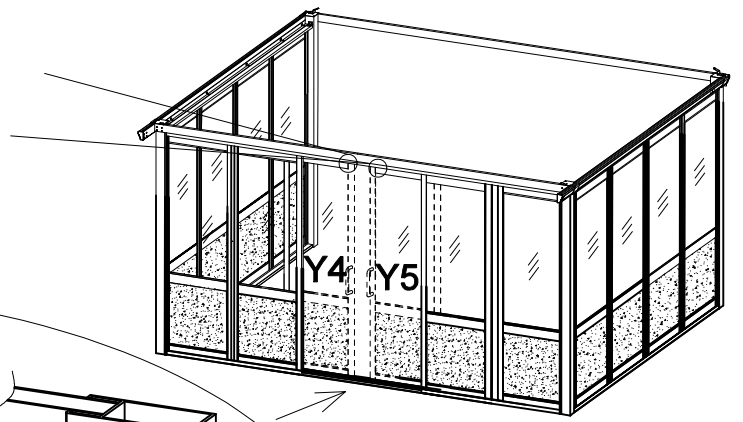
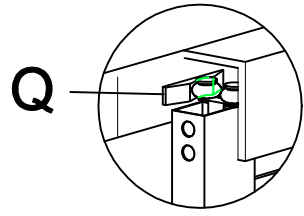
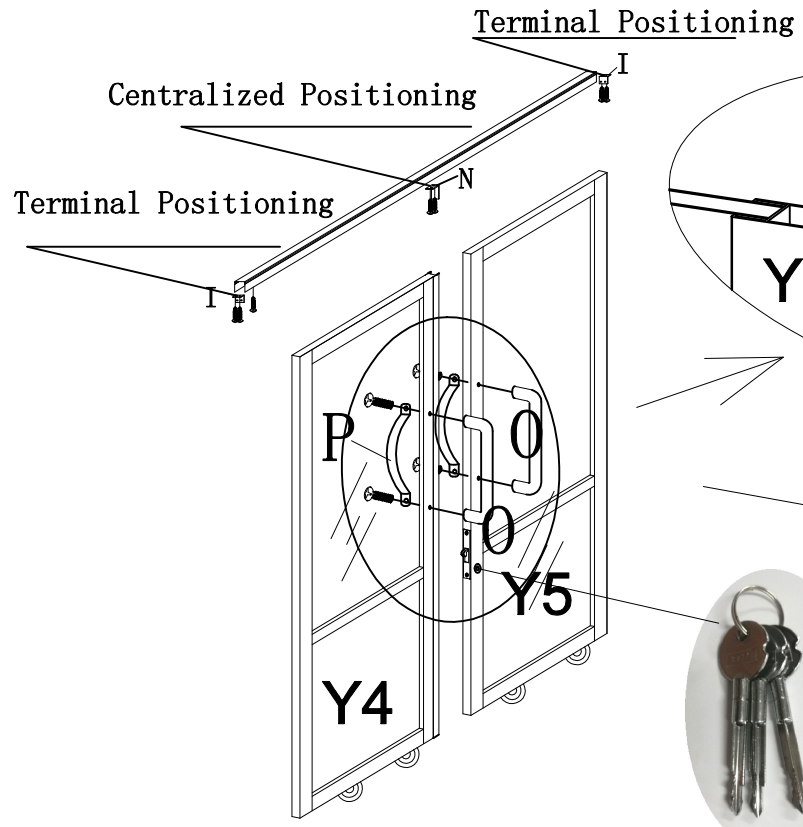
12



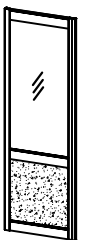
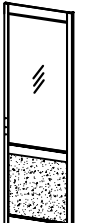


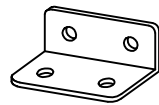

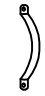


25		X1
----	---	----

26		X1
C		X6
	M4X19	

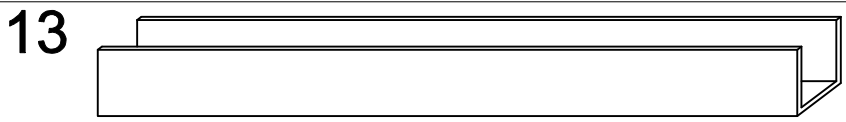
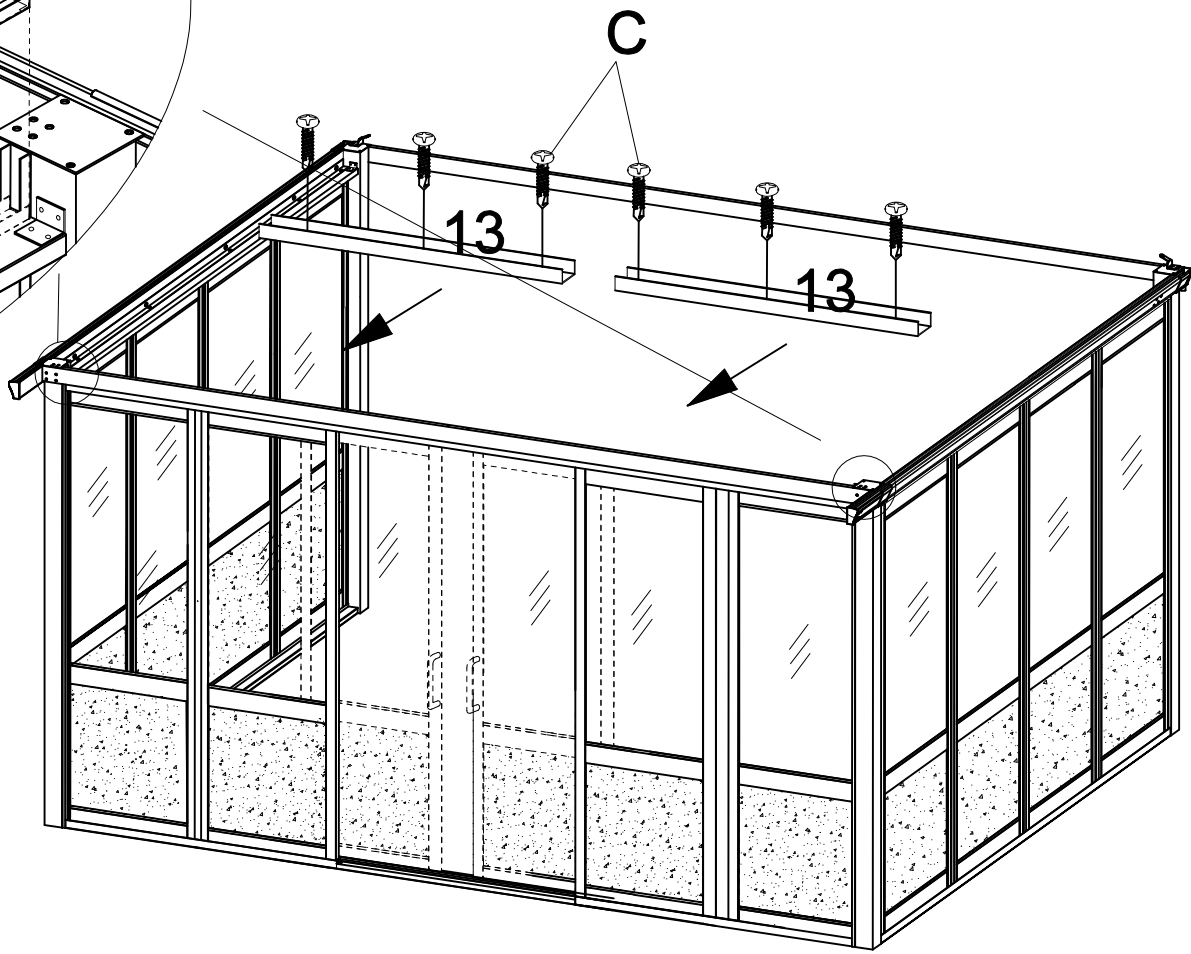
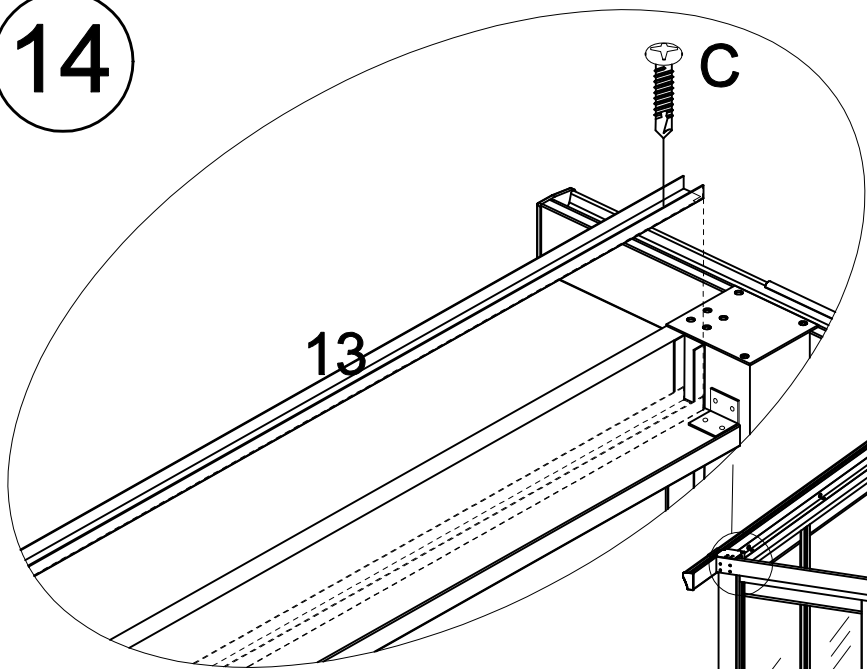
13



The height of the door can be adjusted here

<p>Y4</p>  <p>X1</p>	<p>Y5</p>  <p>X1</p>	<p>N</p>  <p>X1</p>					
		<p>C</p>  <p>M4X19</p> <p>X6</p>	<p>I</p>  <p>X2</p>	<p>O</p>  <p>X2</p>	<p>P</p>  <p>X2</p>	<p>Q</p>  <p>X2</p>	<p>R</p>  <p>X1</p>

14



X2

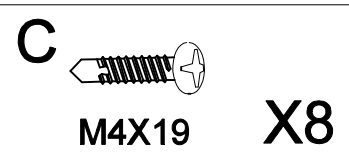
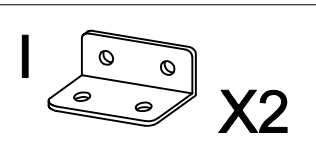
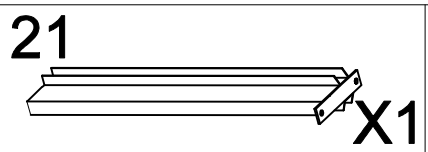
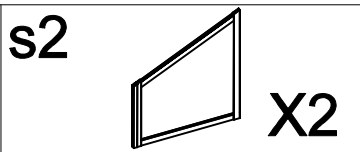
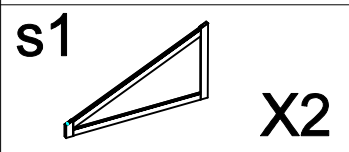
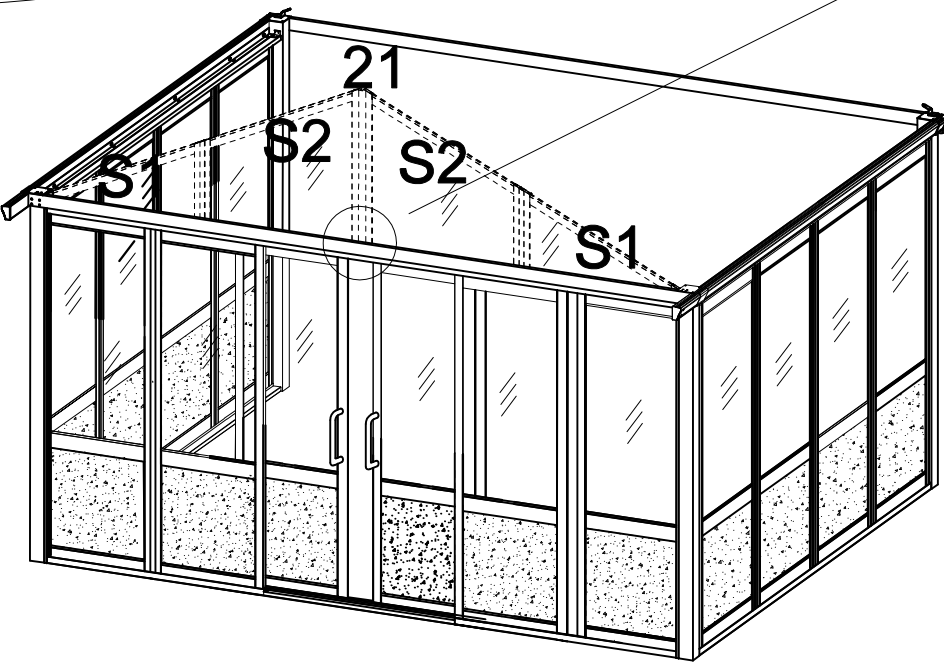
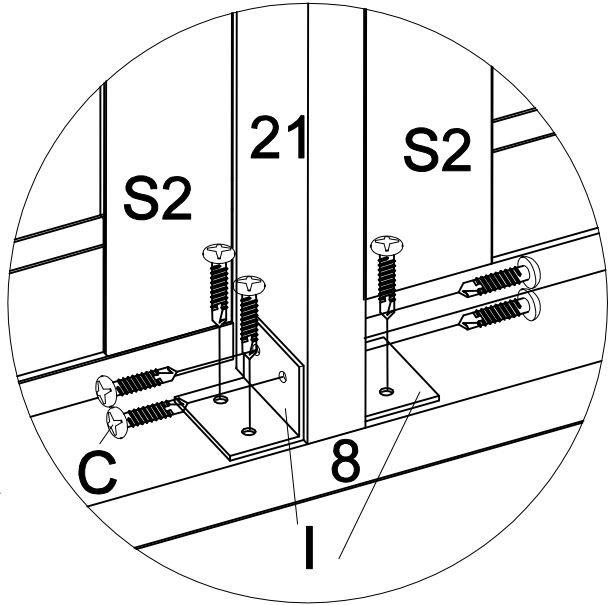
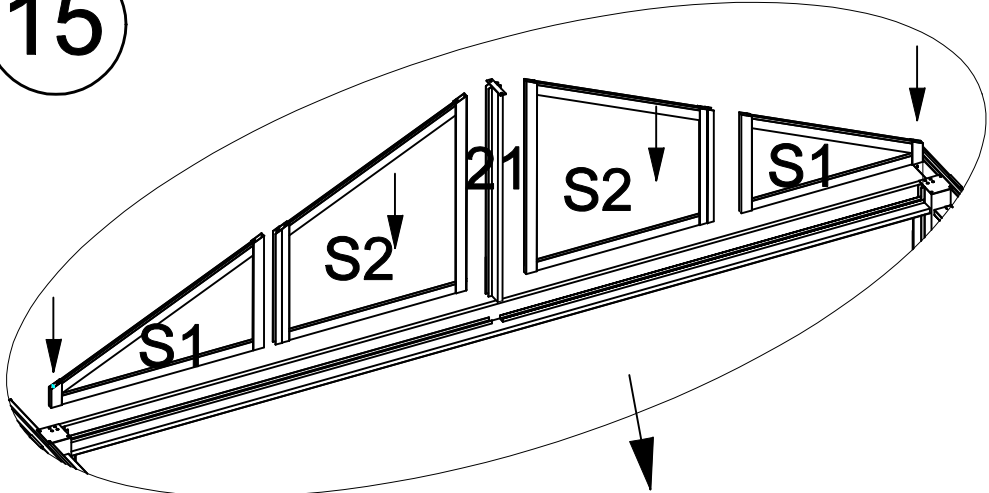
C



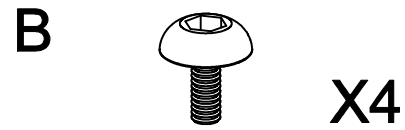
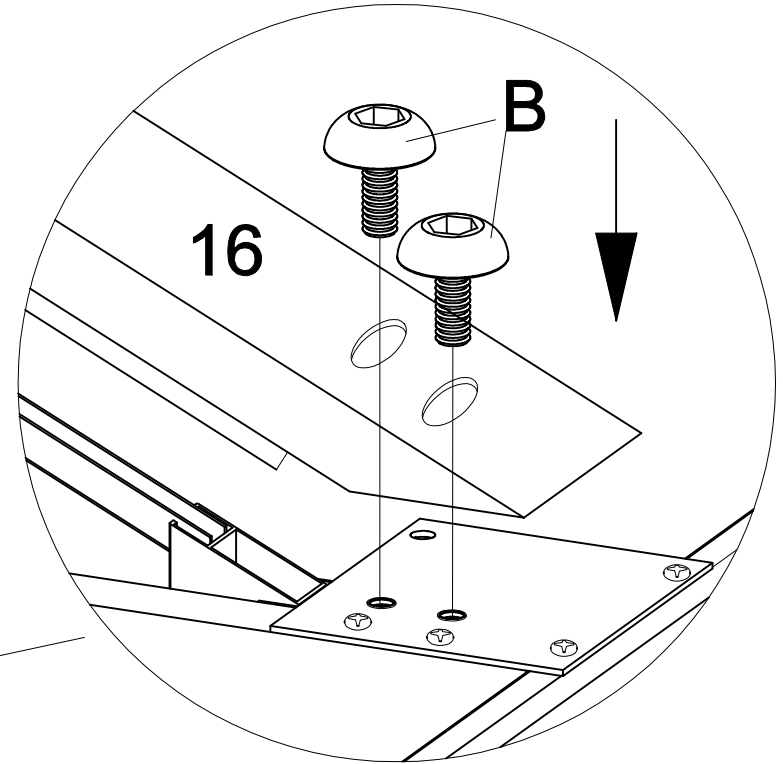
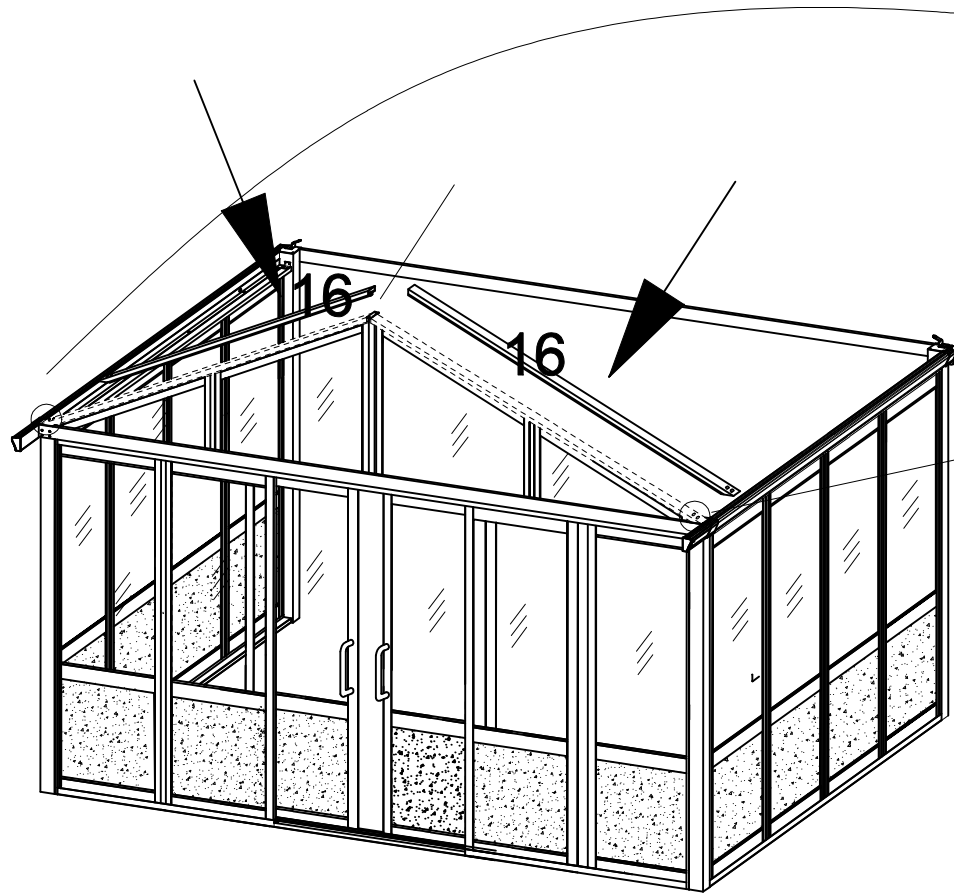
M4X19

X6

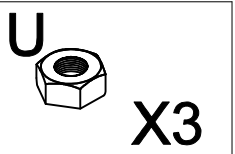
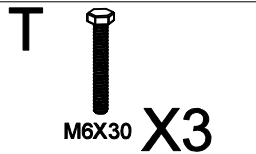
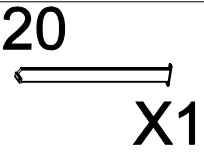
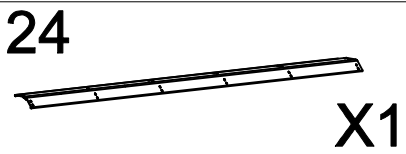
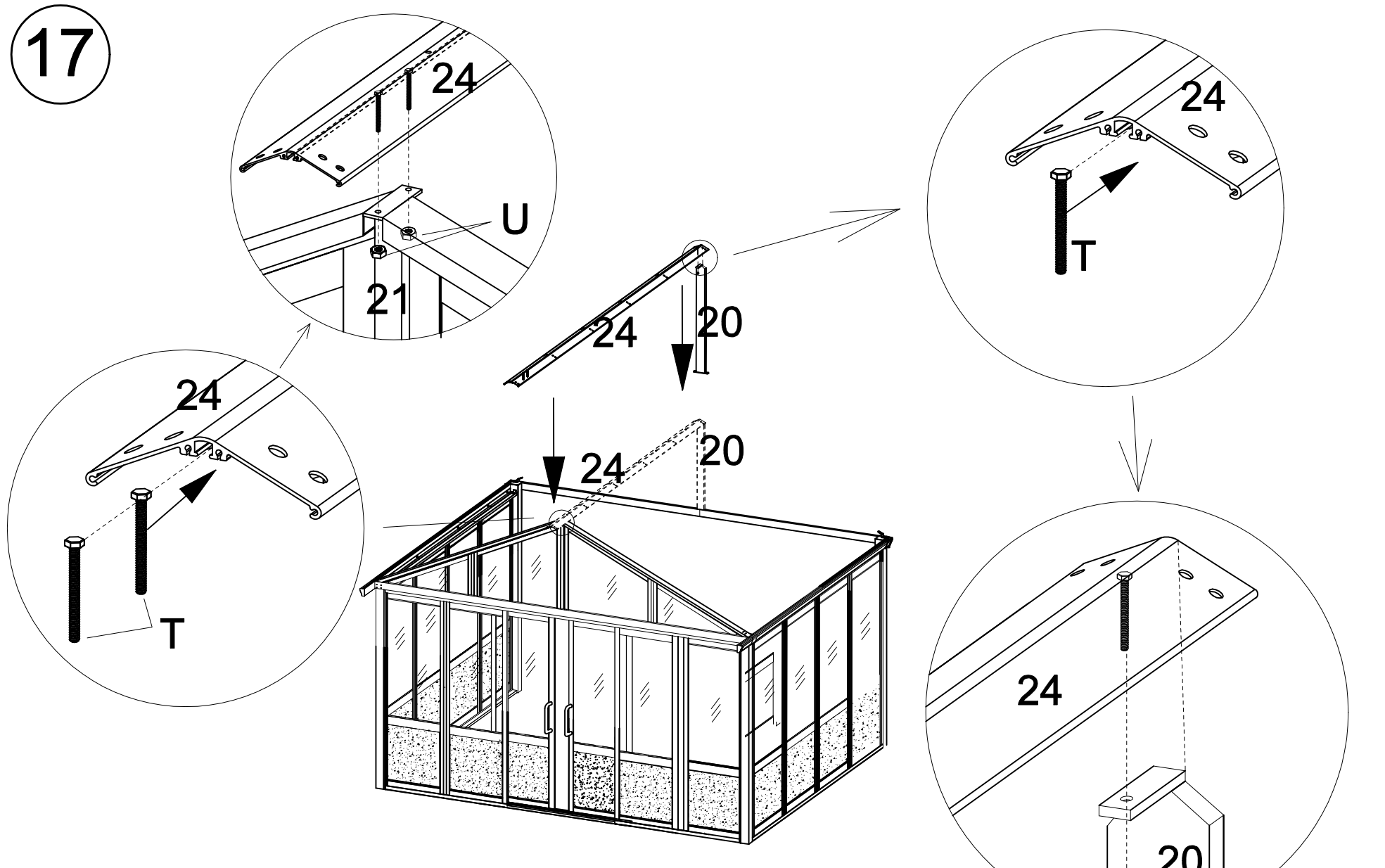
15



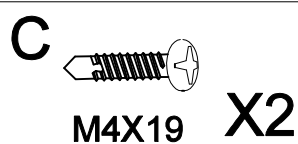
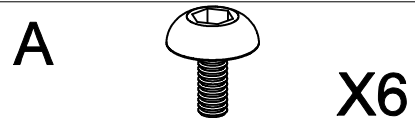
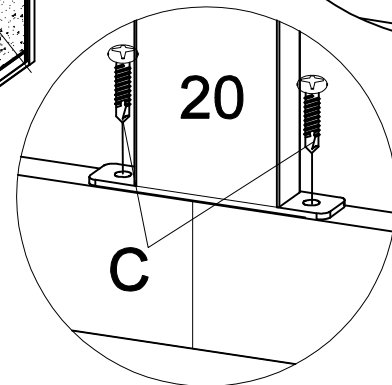
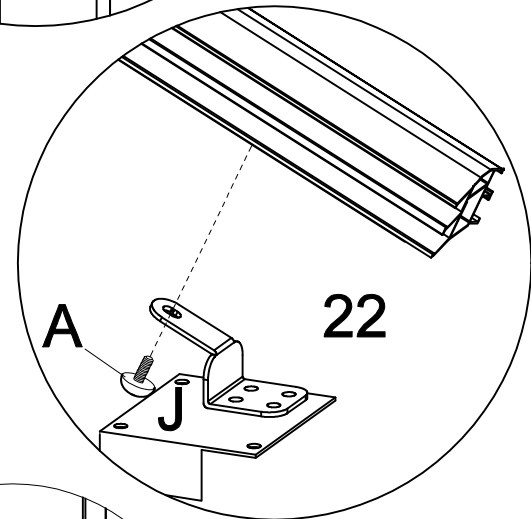
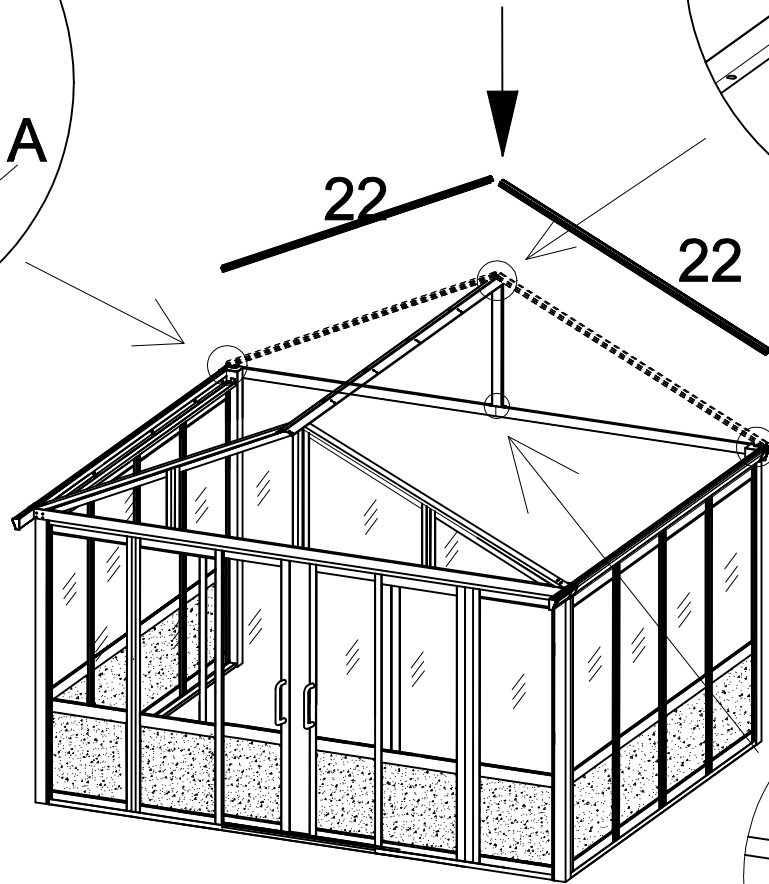
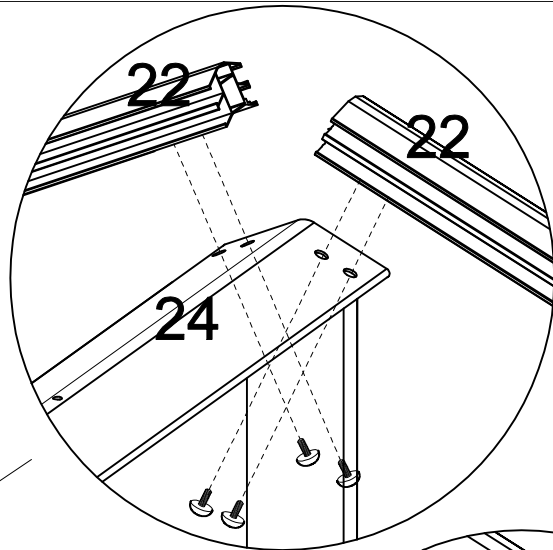
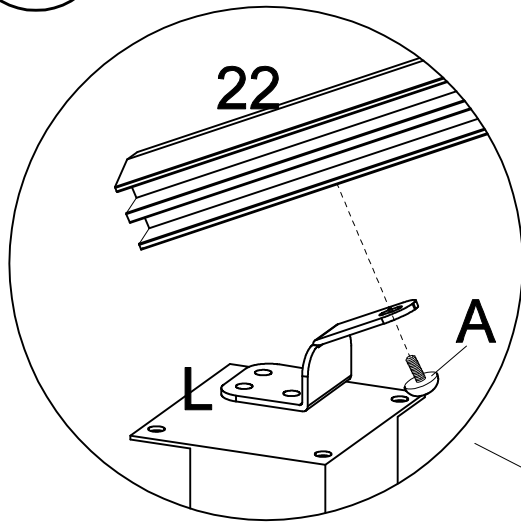
16



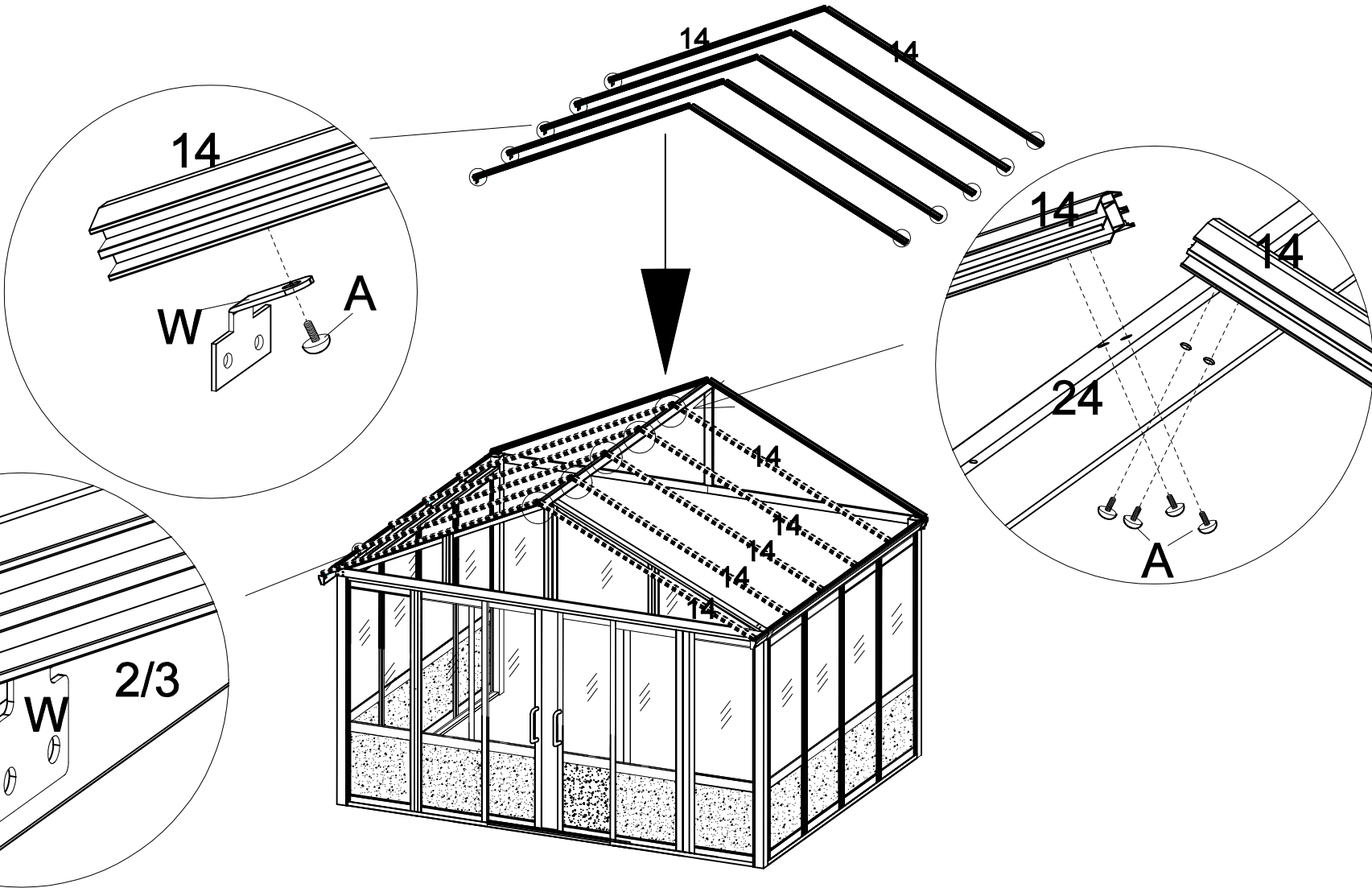
17



18



19

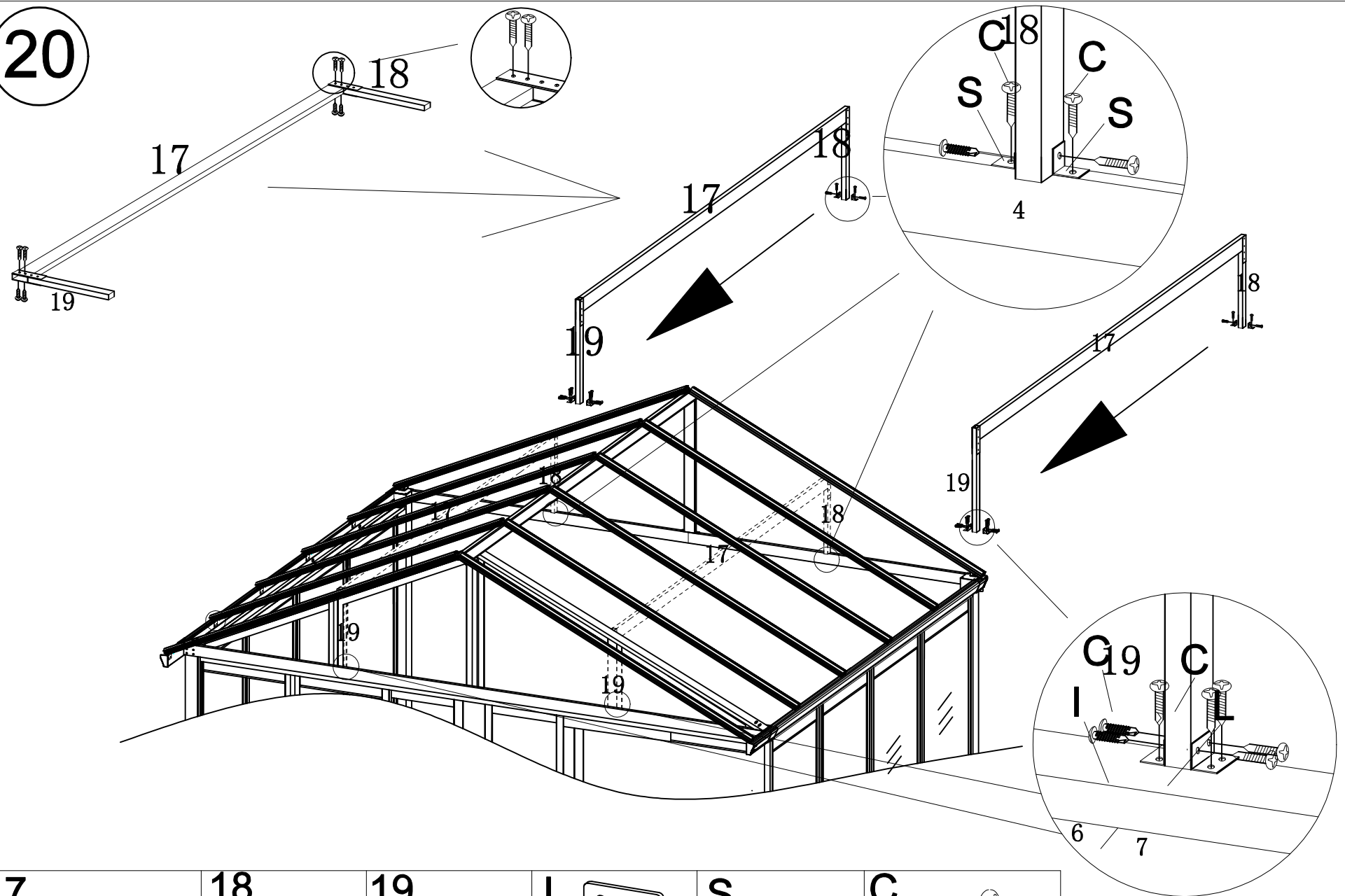


14
X10

A
X30

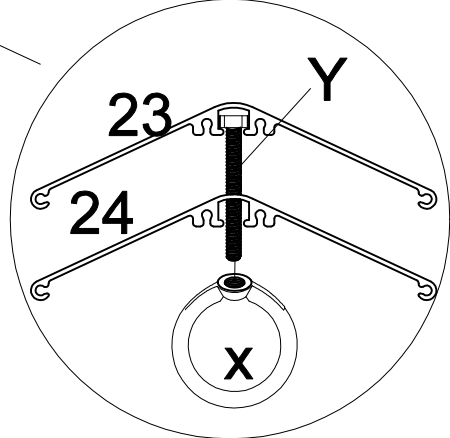
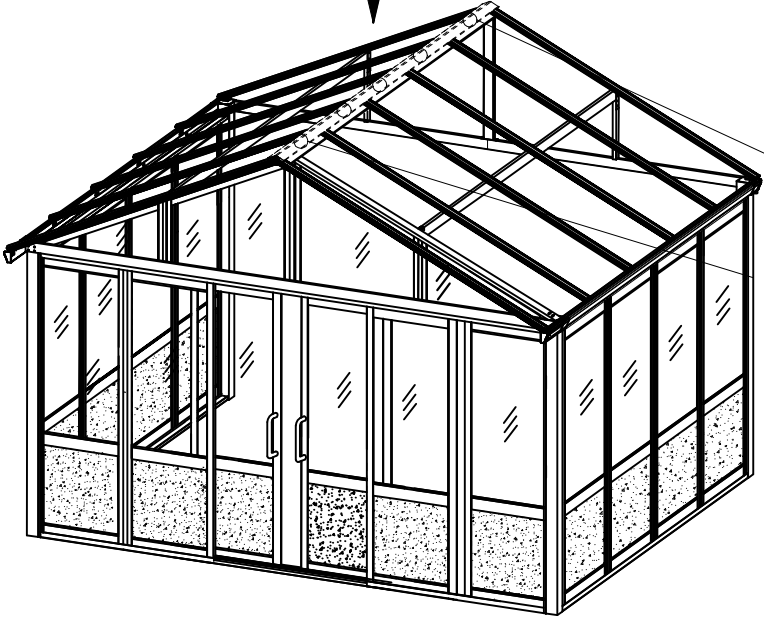
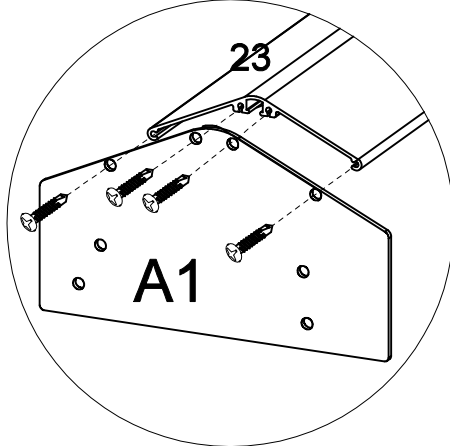
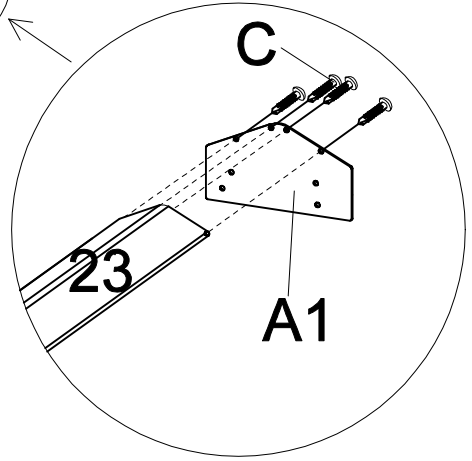
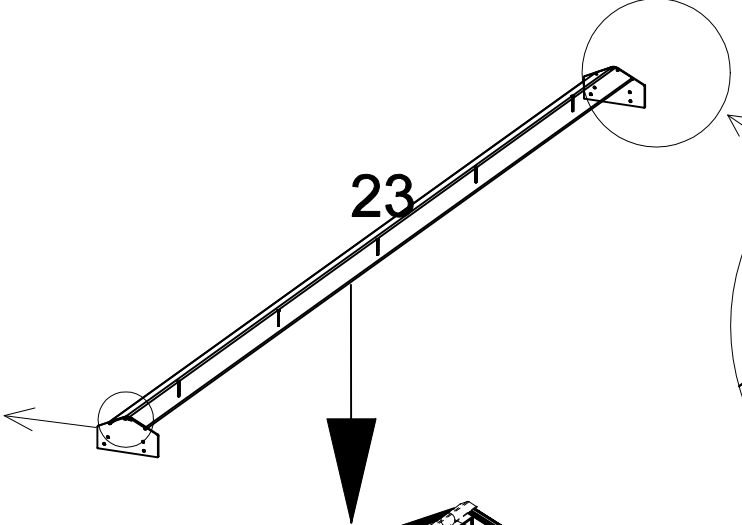
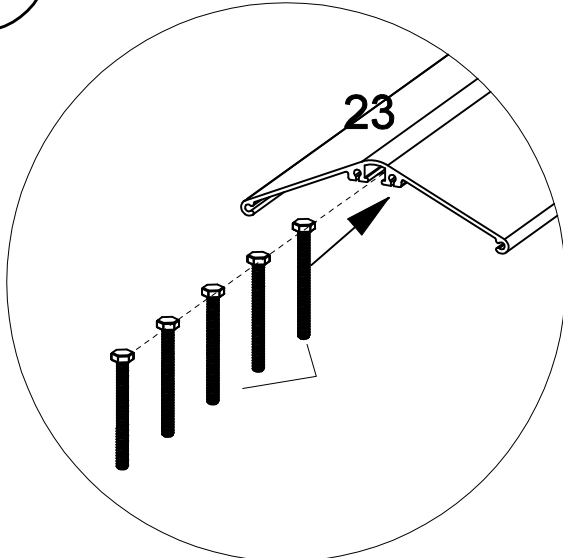
W
X10

20

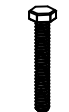


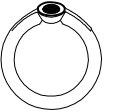
<p>17</p> <p>X2</p>	<p>18</p> <p>X2</p>	<p>19</p> <p>X2</p>	<p>I</p> <p>X4</p>	<p>S</p> <p>X4</p>	<p>C</p> <p>M4X19</p> <p>X32</p>
---------------------	---------------------	---------------------	--------------------	--------------------	----------------------------------

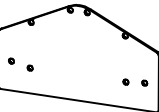
21



23  X1

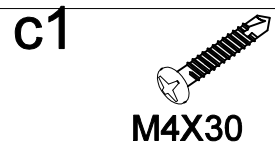
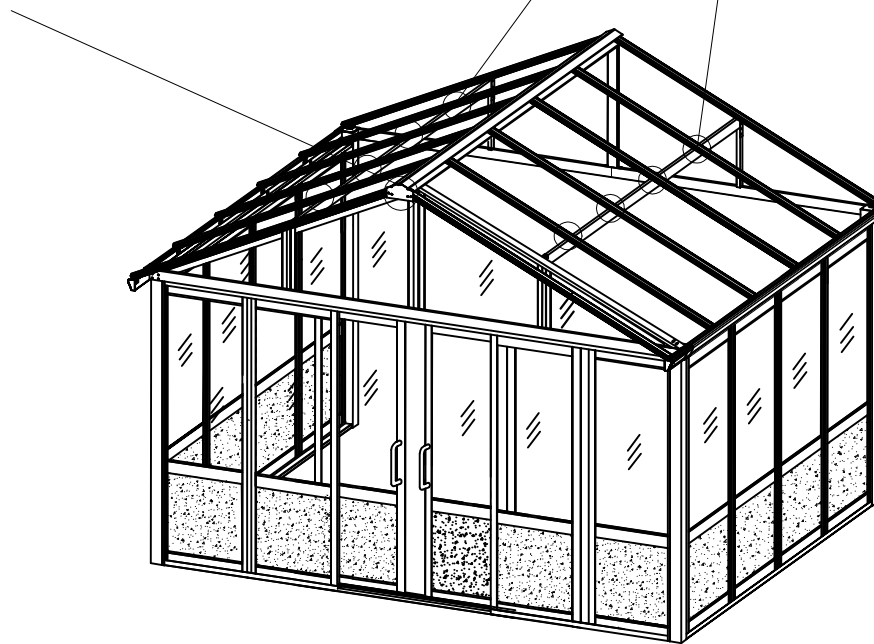
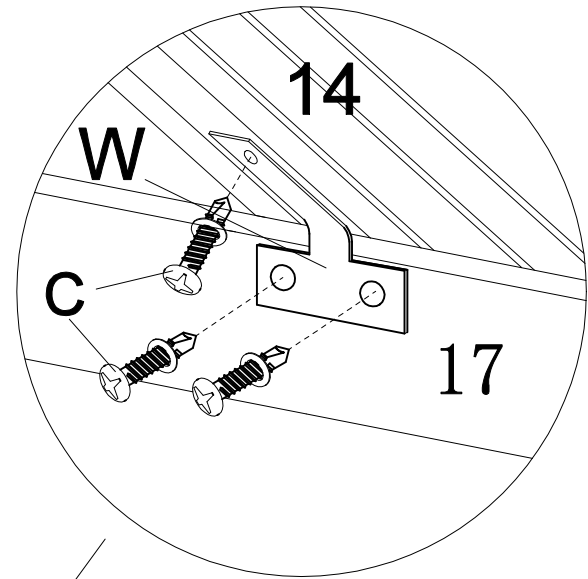
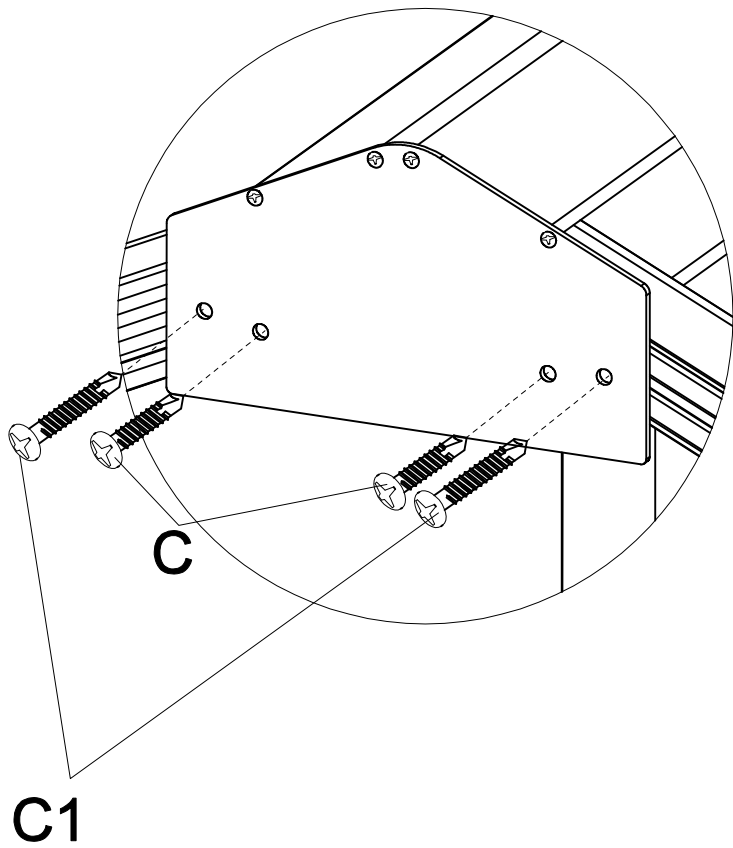
Y  M6X70 X5

X  X5

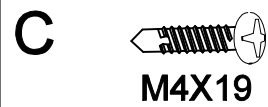
A1  X2

C  M4X19 X8

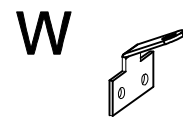
22



X4



X8

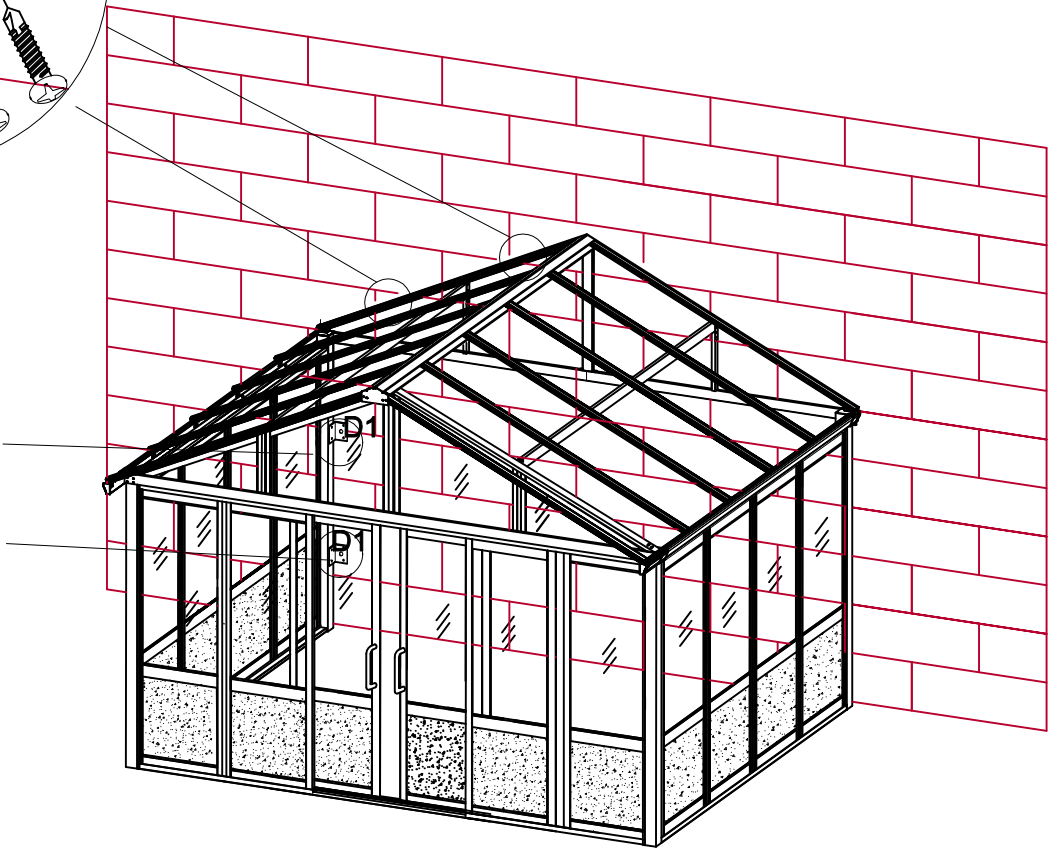
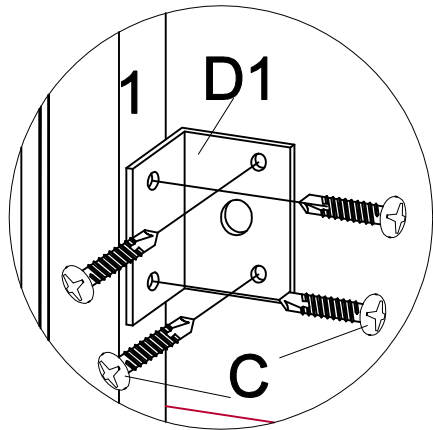
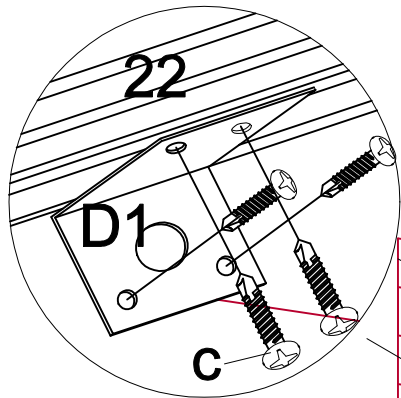


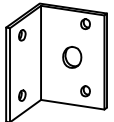

X8



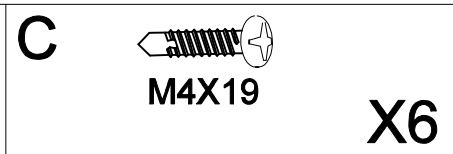
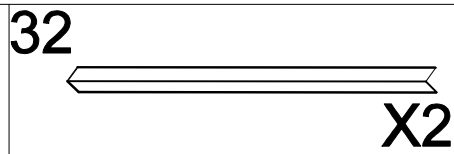
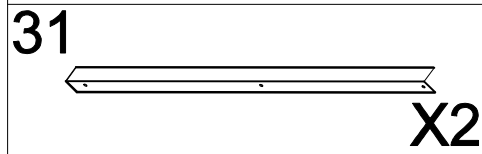
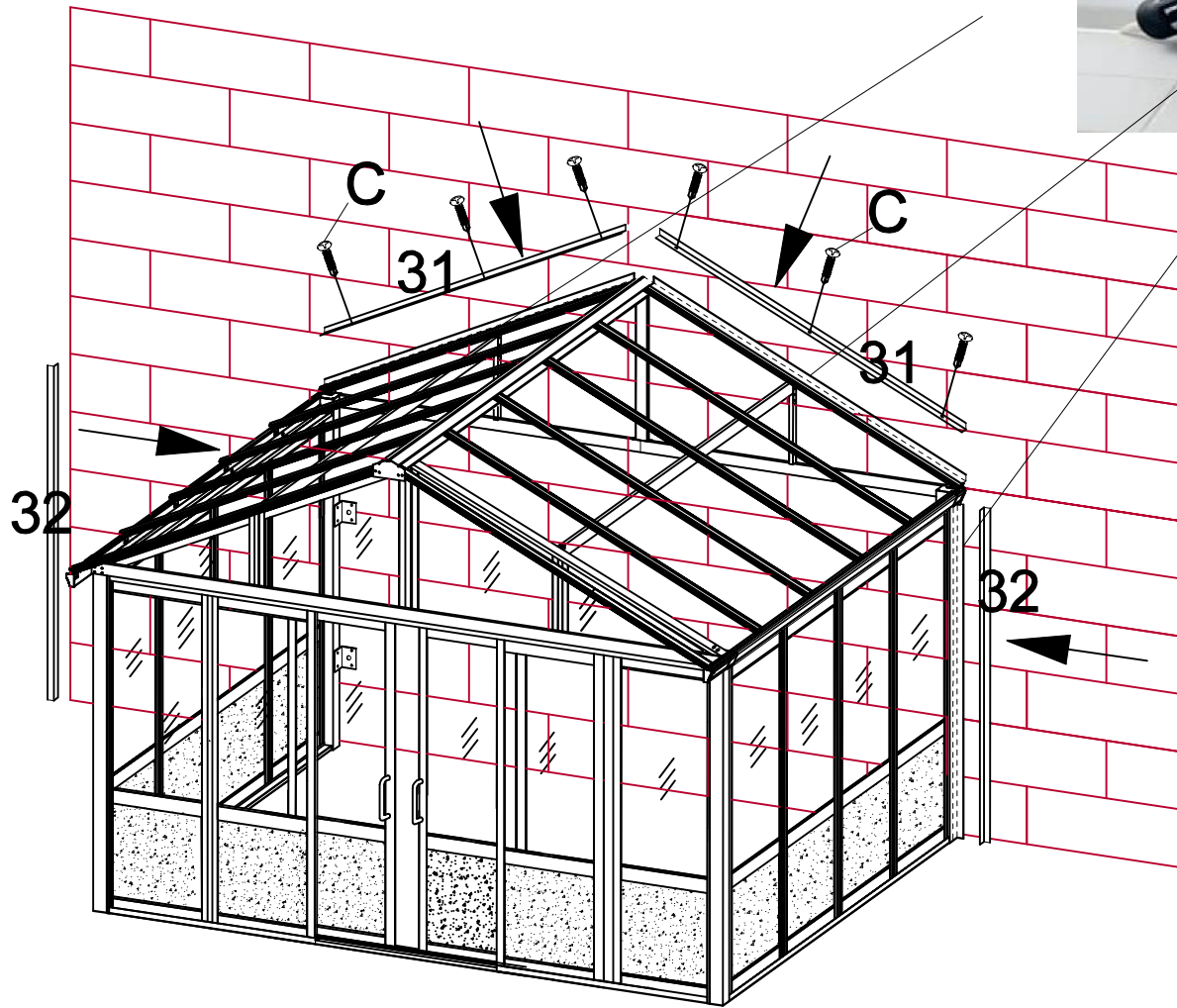
X24

23

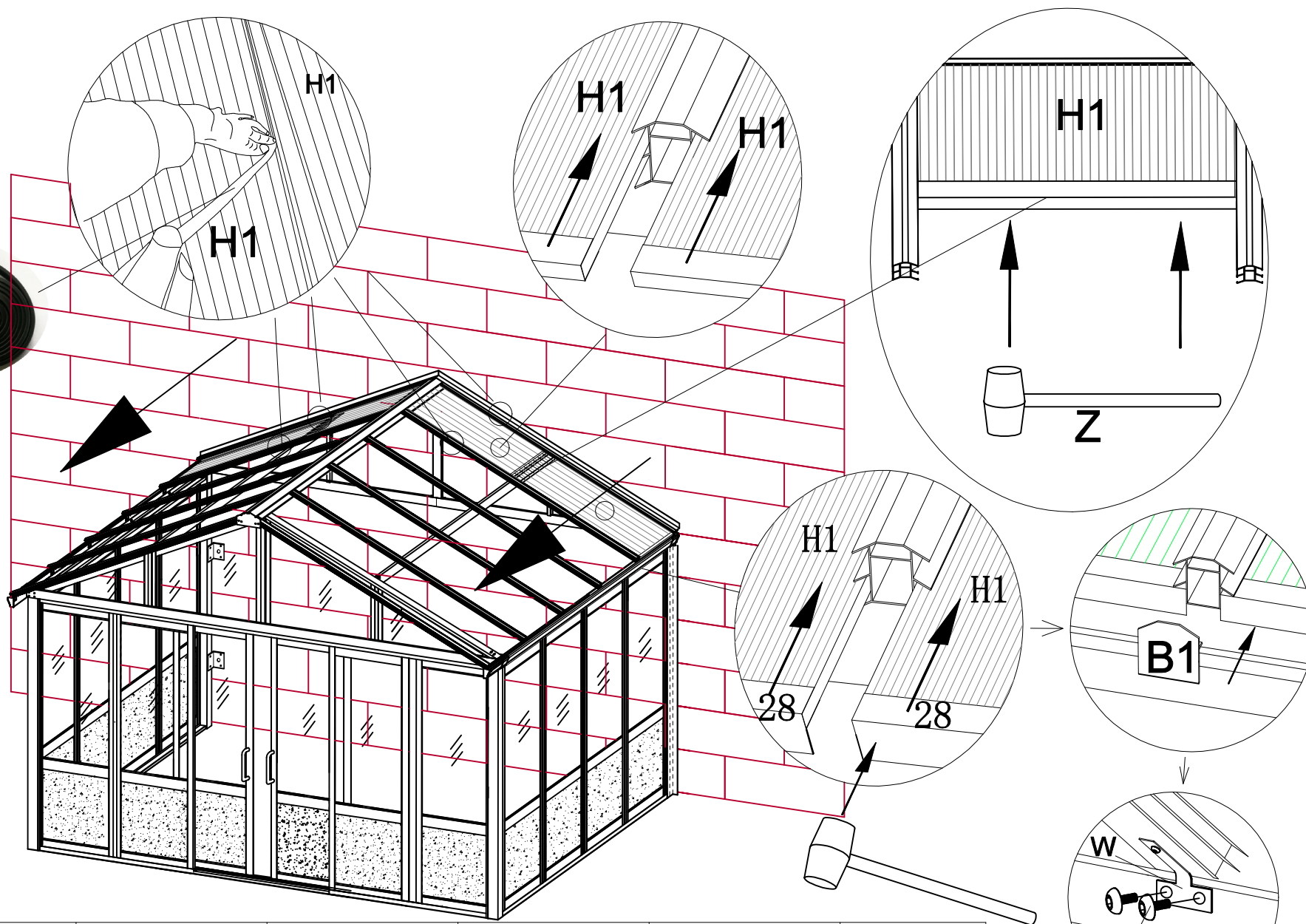
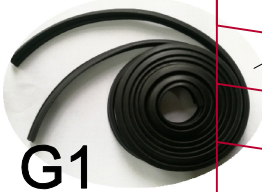


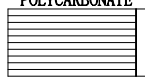
D1  X8	C  M4X19 X32
---	---

24

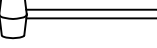



25





H1
POLYCARBONATE
 X20

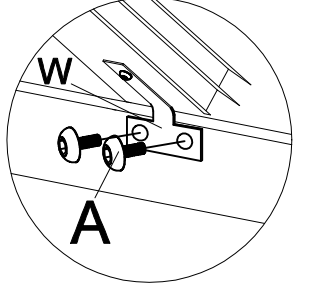
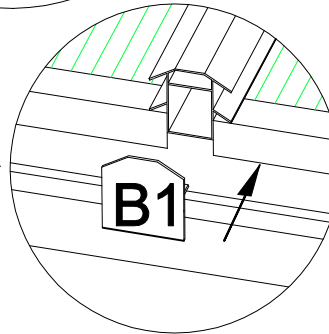
G1


Z


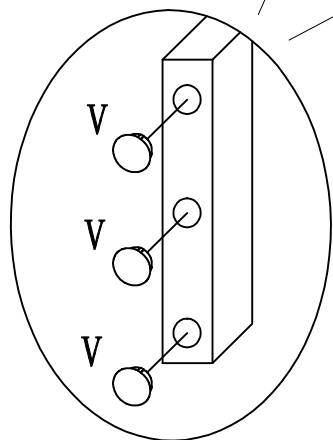
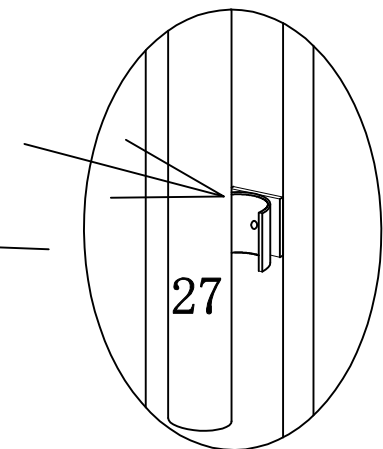
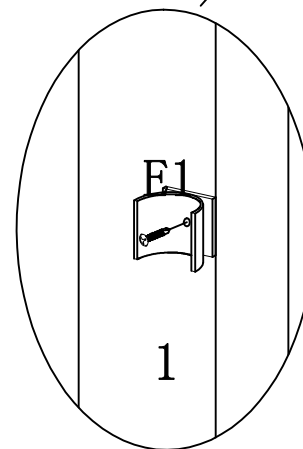
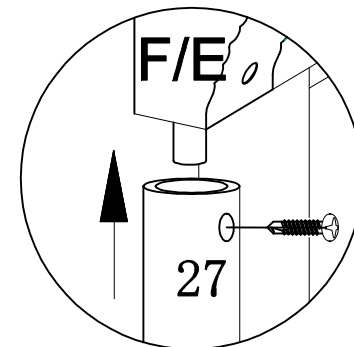
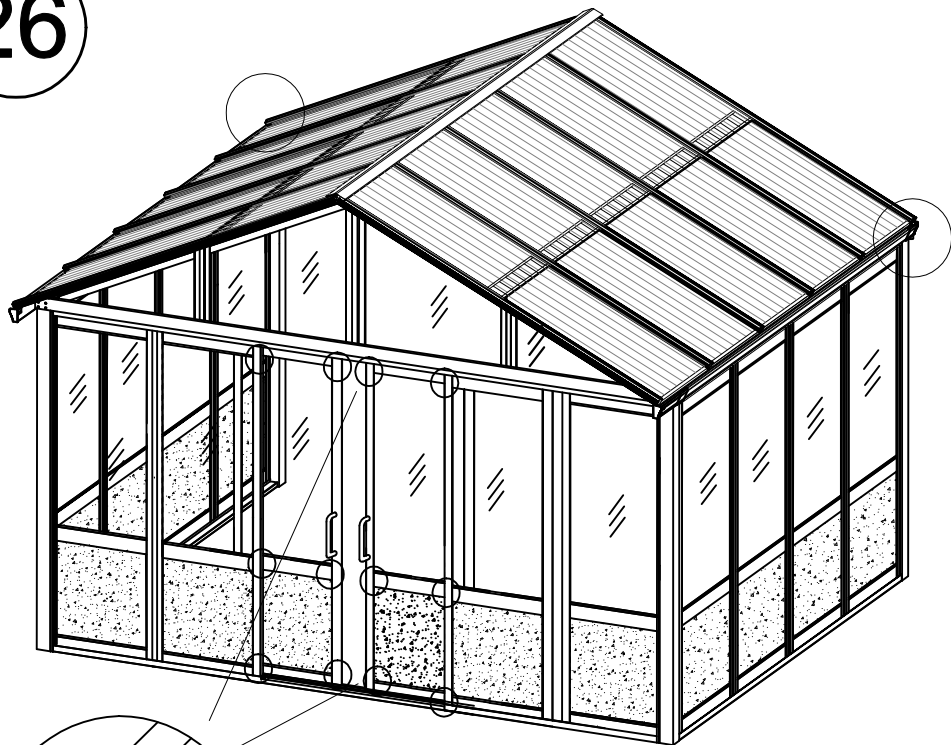
B1
 X12

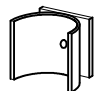
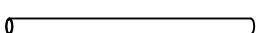


28
 X10

A
 X20

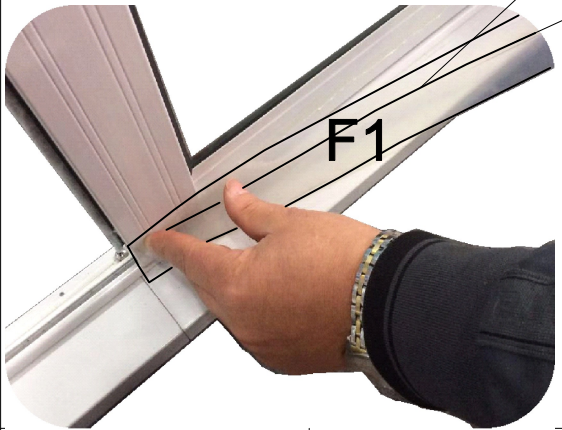
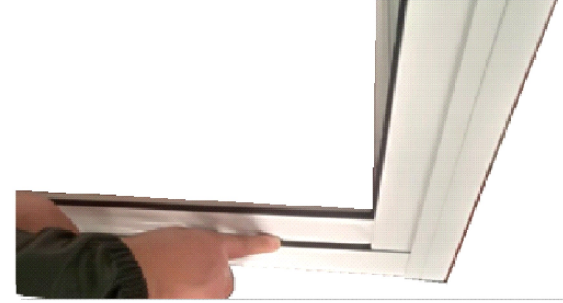
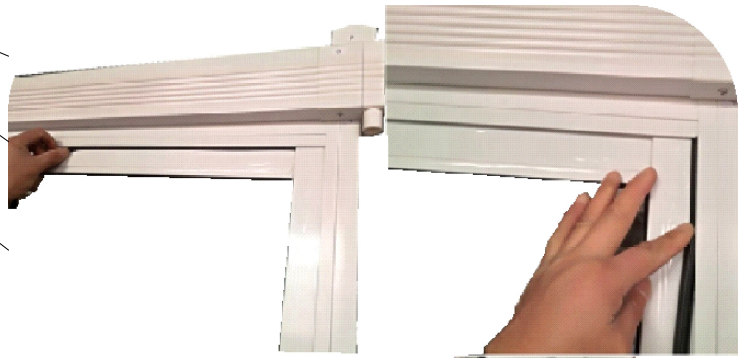
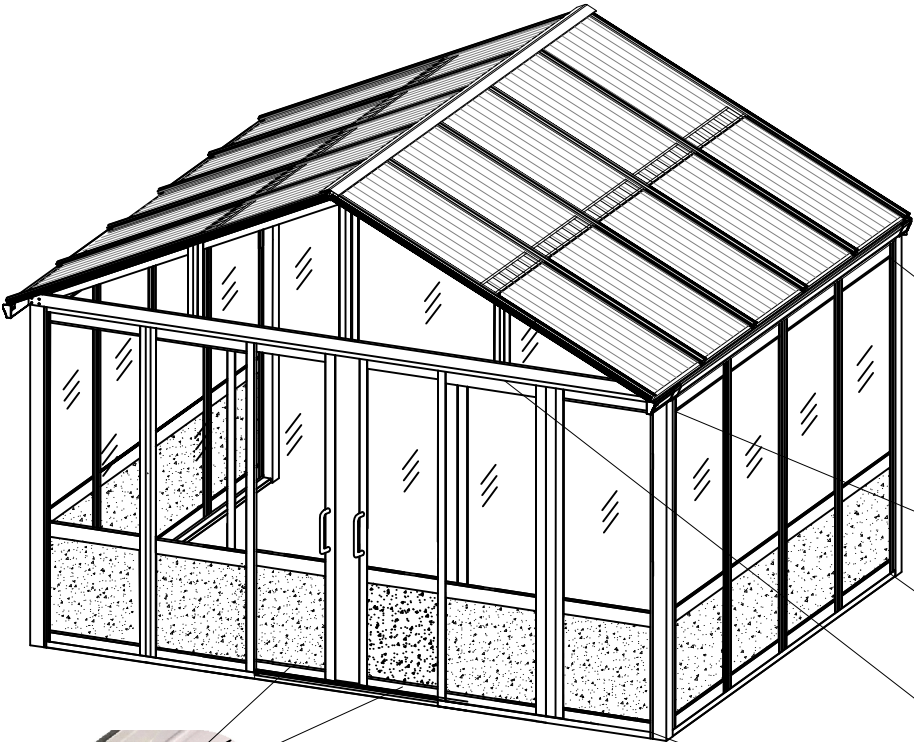




26



E1  X2	27  X2	V  X45	C  M4X19 X2
---	---	---	--

27



 G1	 F1 2m X1
--	---