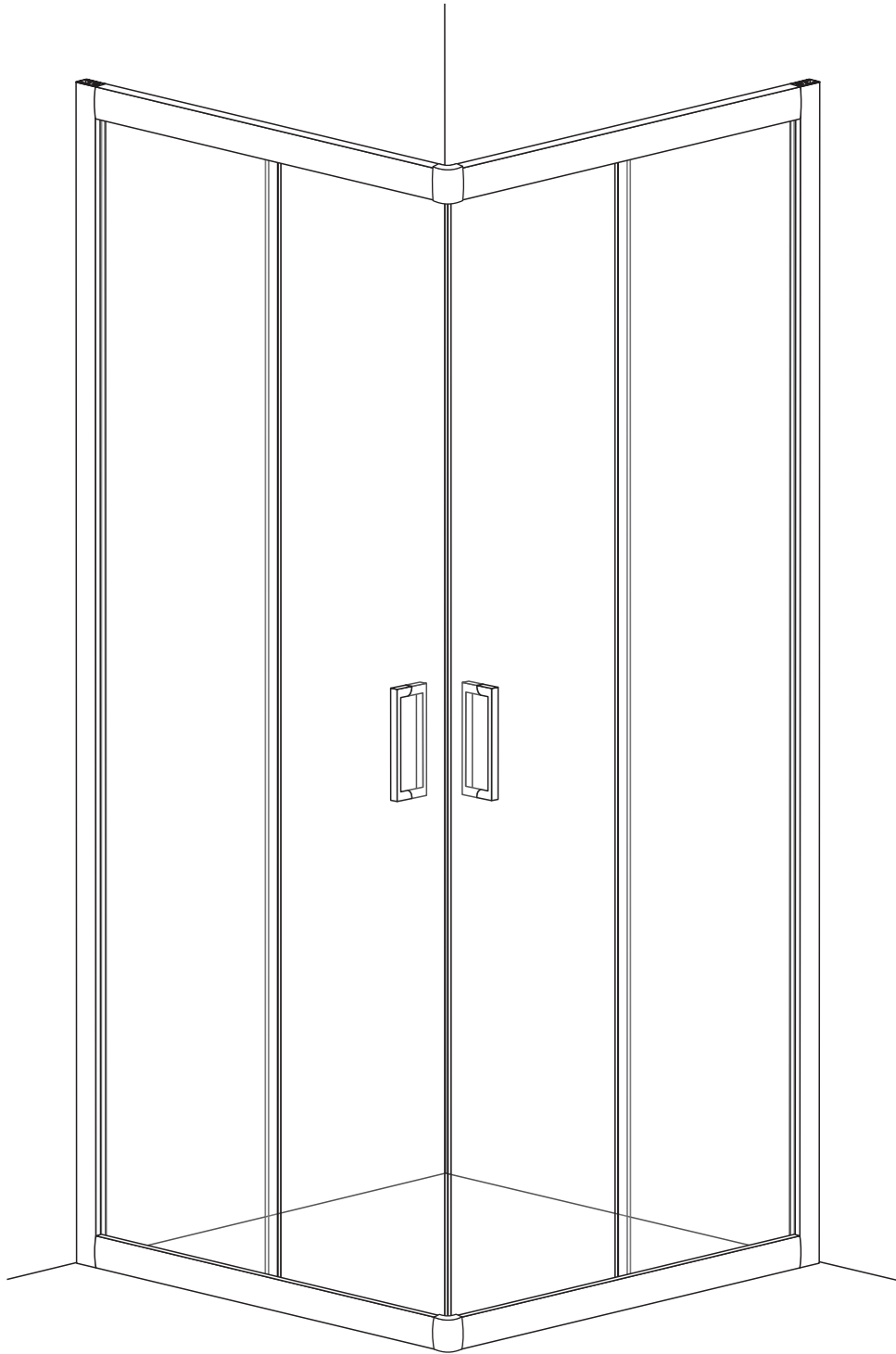


JL001

Installation instructions



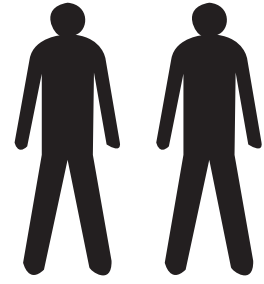
SIZE:80*80*185 cm
SIZE:90*90*185 cm

Installation instructions

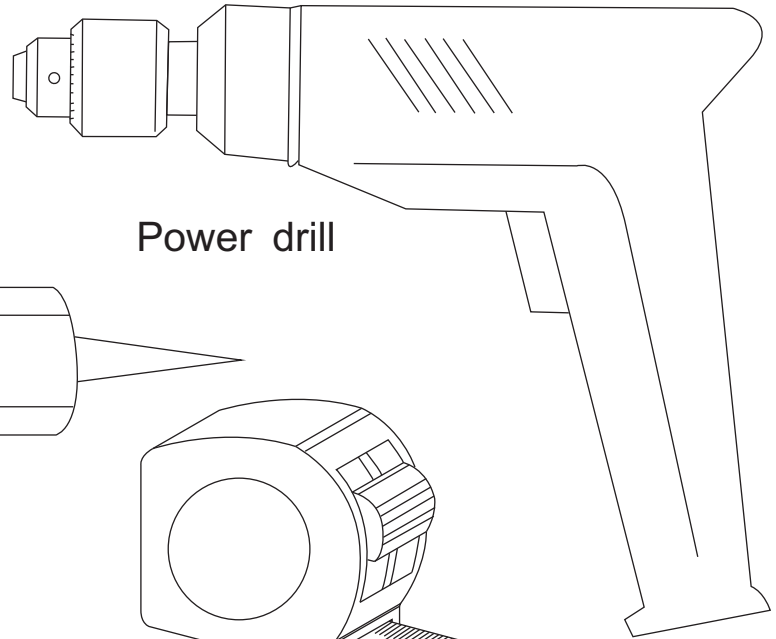
TOOLS REQUIRED(NOT SUPPLIED)

when you're ready to start. make sure that you have the following tools to hand, plenty of space and a clean dry area for assembly.

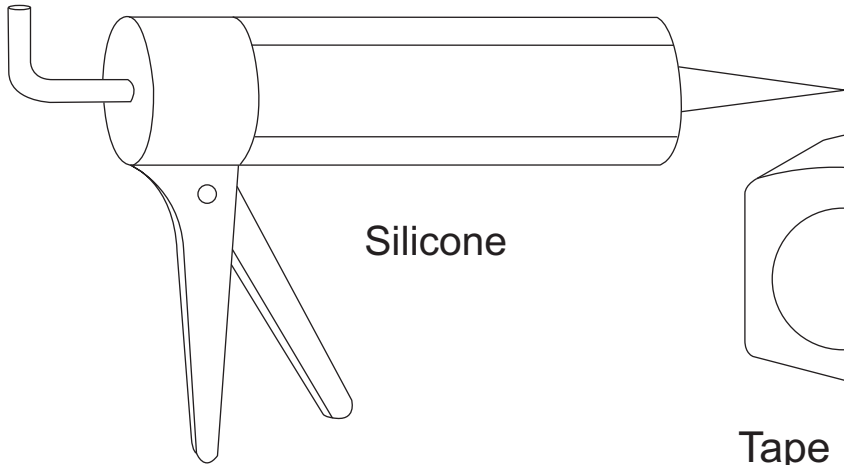
Two people are needed. Please note: Although these instructions are comprehensive, We always recommend that a technically competent installer should undertake installation.



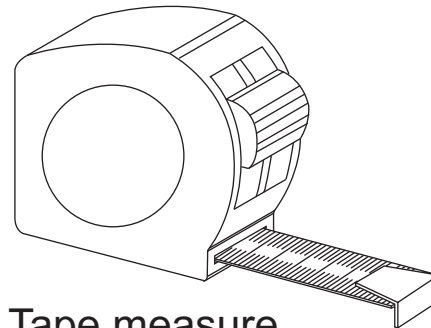
Drill bit to suit wall type
5.5mm



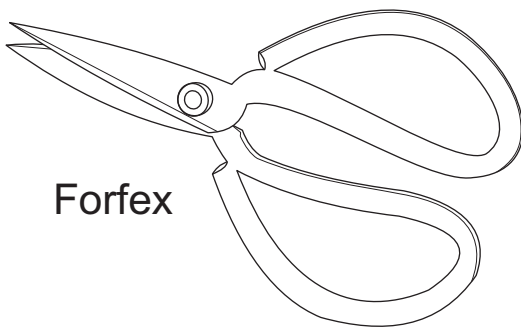
Power drill



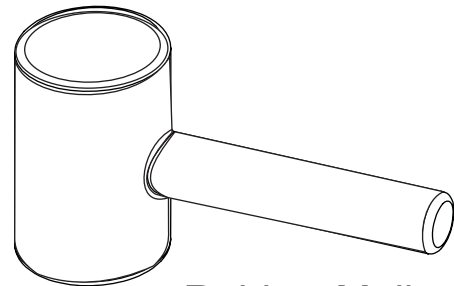
Silicone



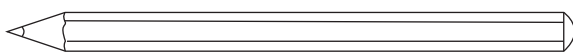
Tape measure



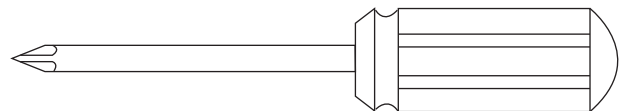
Forfex



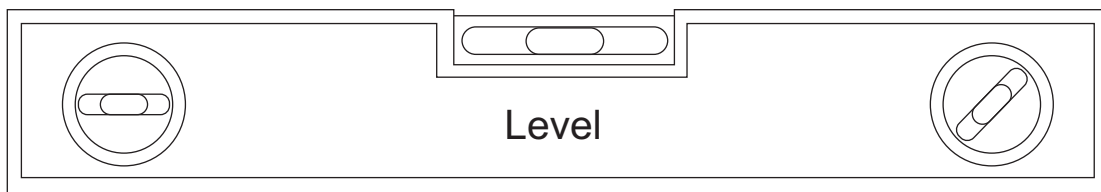
Rubber Mallet



Pencil

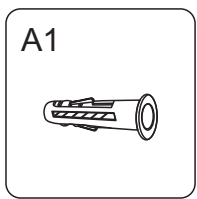
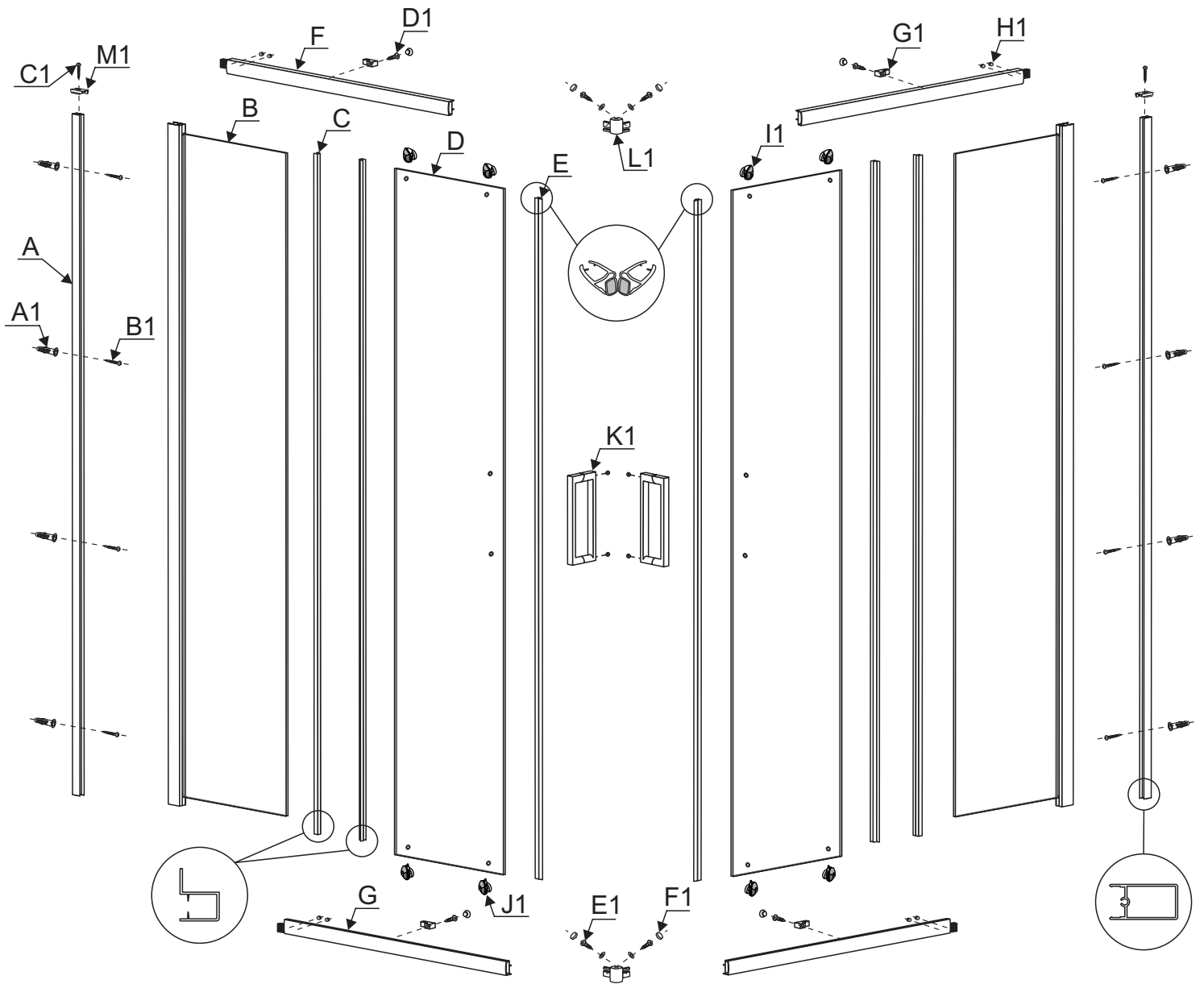


Magnetic cross head screw driver



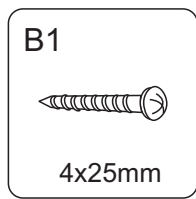
Level

Installation instructions



A1

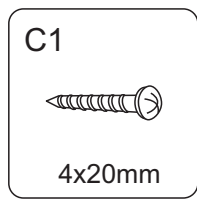
8PCS



B1

4x25mm

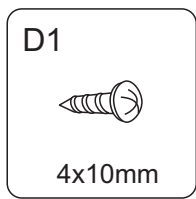
8PCS



C1

4x20mm

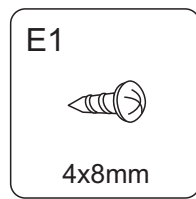
2PCS



D1

4x10mm

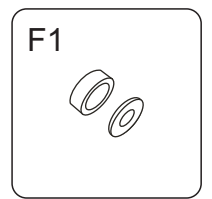
4PCS



E1

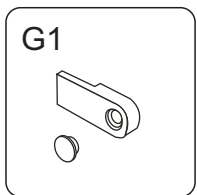
4x8mm

4PCS



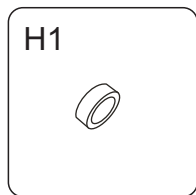
F1

4PCS



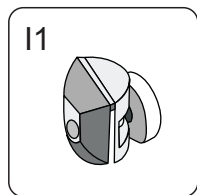
G1

4PCS



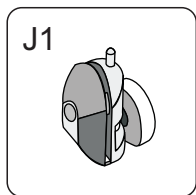
H1

8PCS



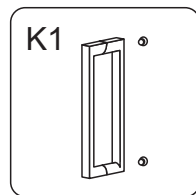
I1

4PCS



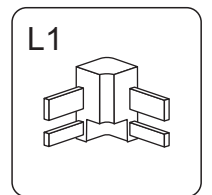
J1

4PCS



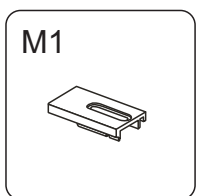
K1

2PCS



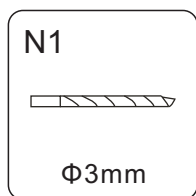
L1

2PCS



M1

2PCS

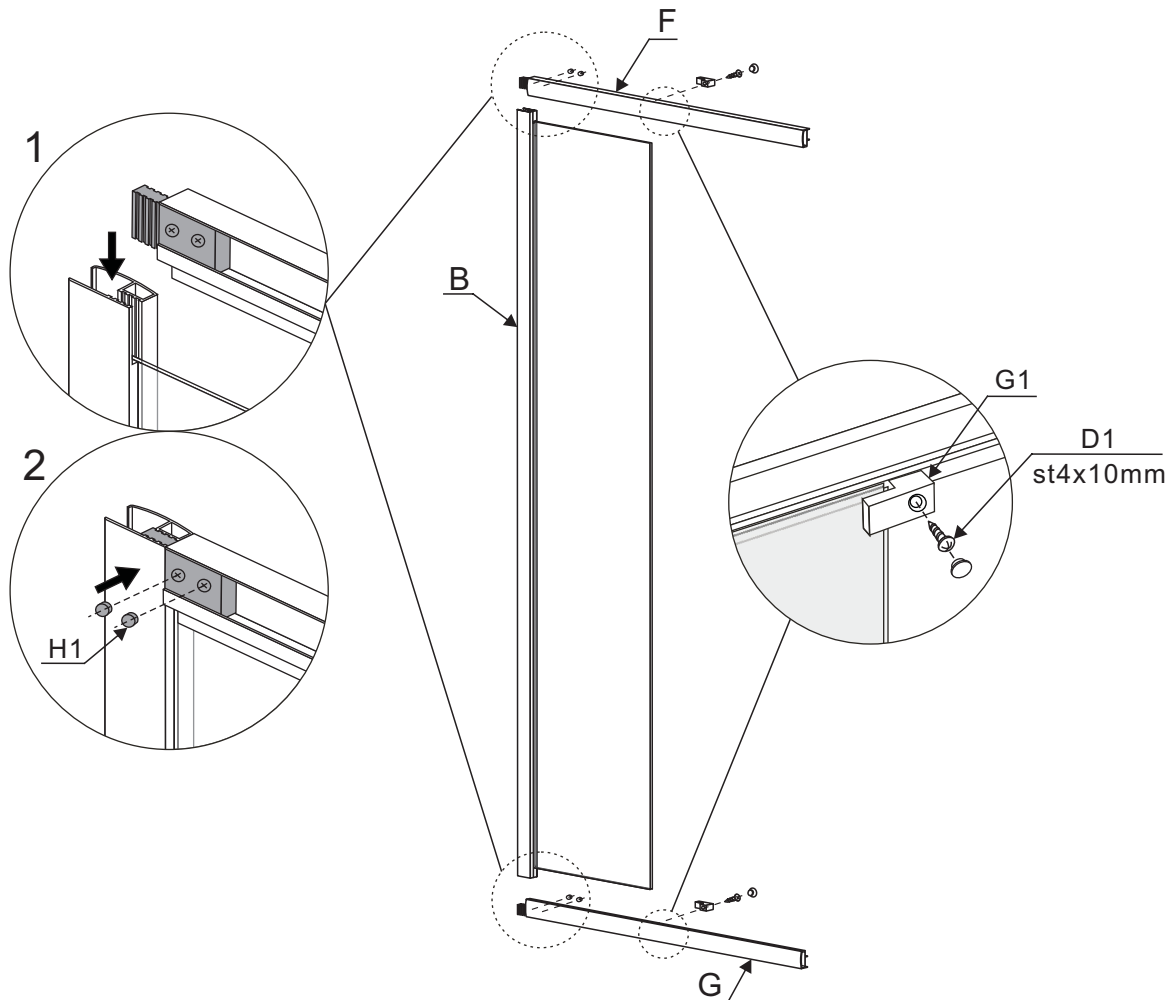
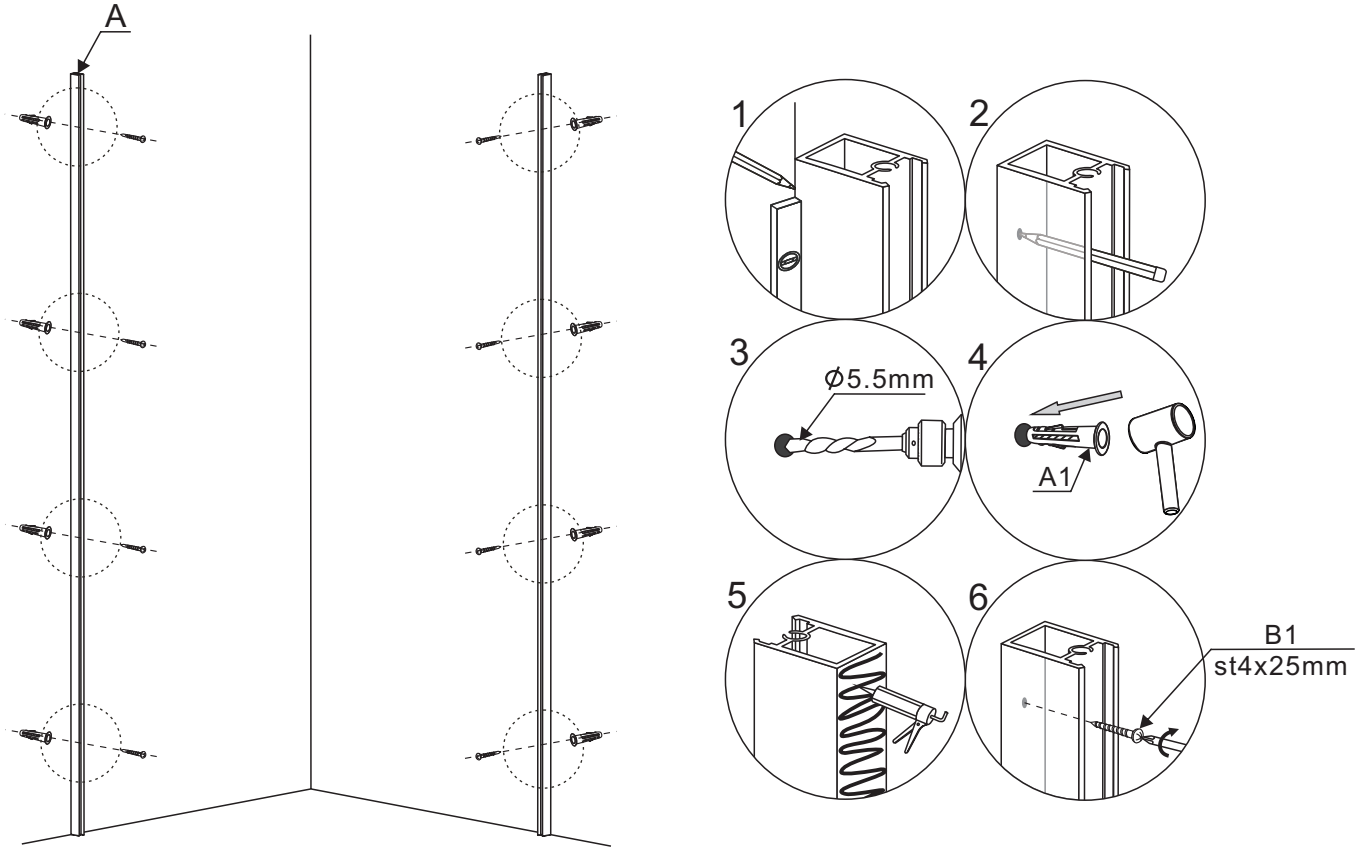


N1

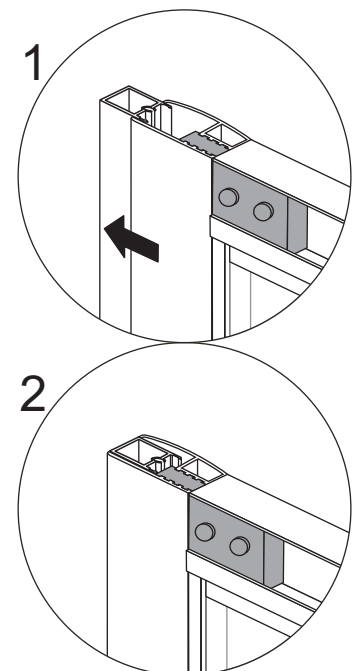
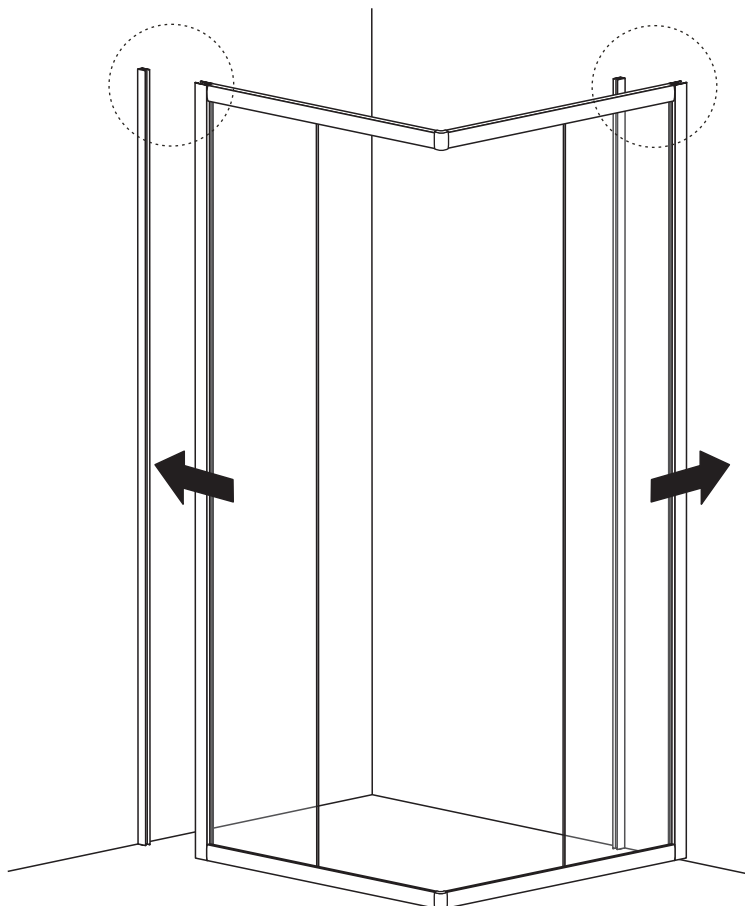
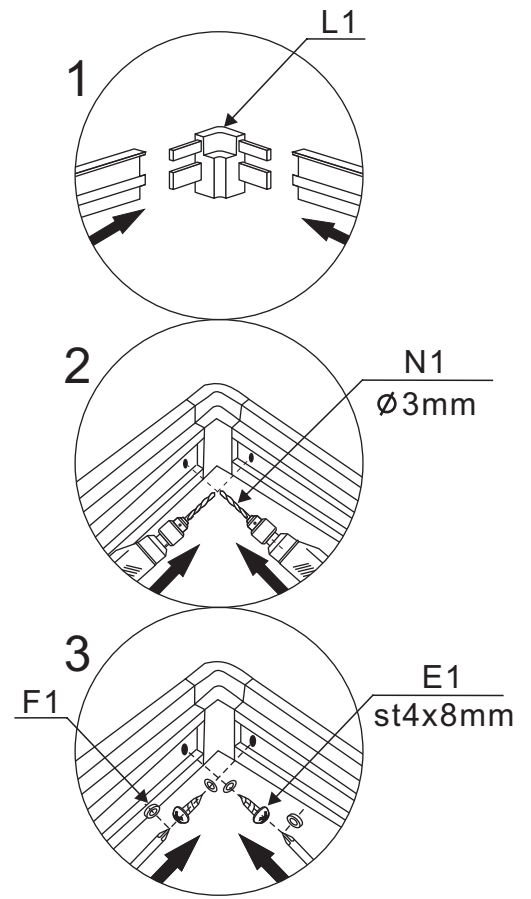
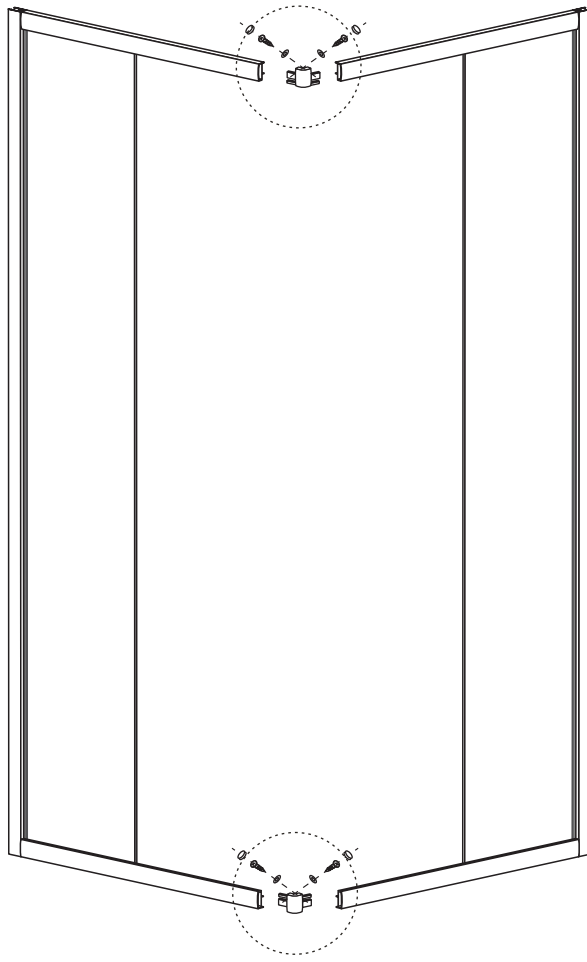
Φ3mm

1PCS

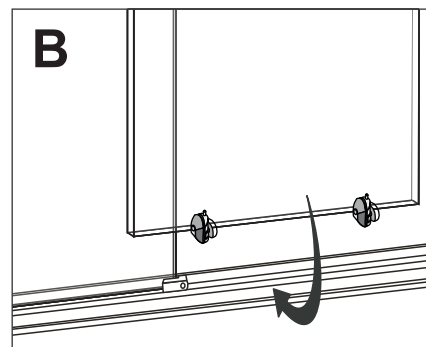
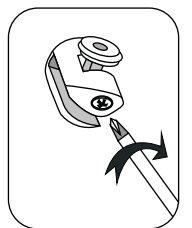
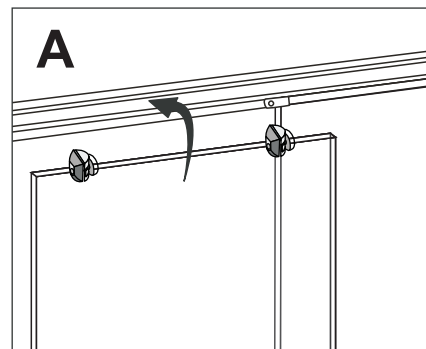
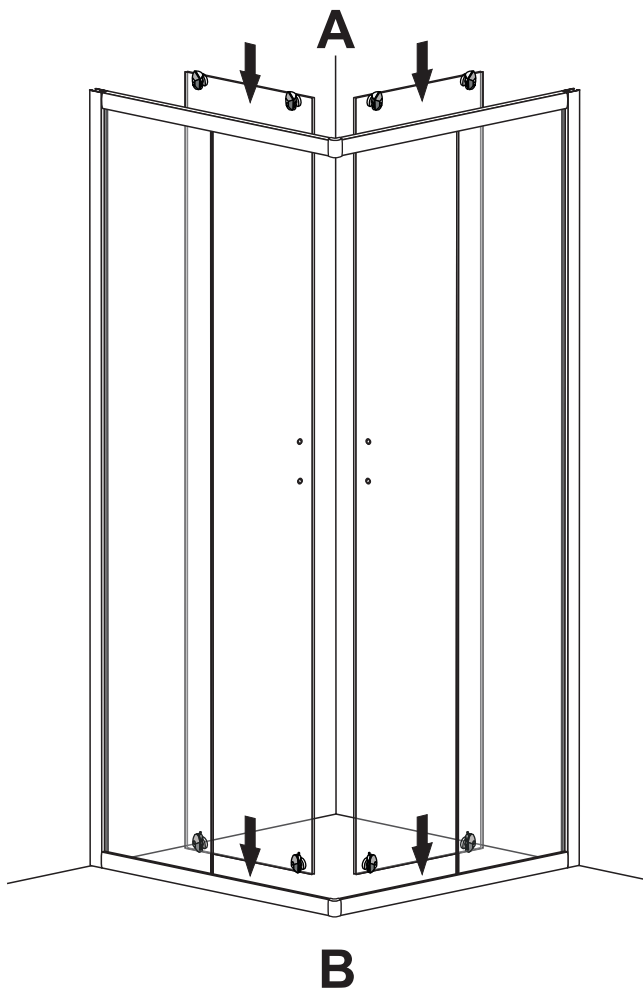
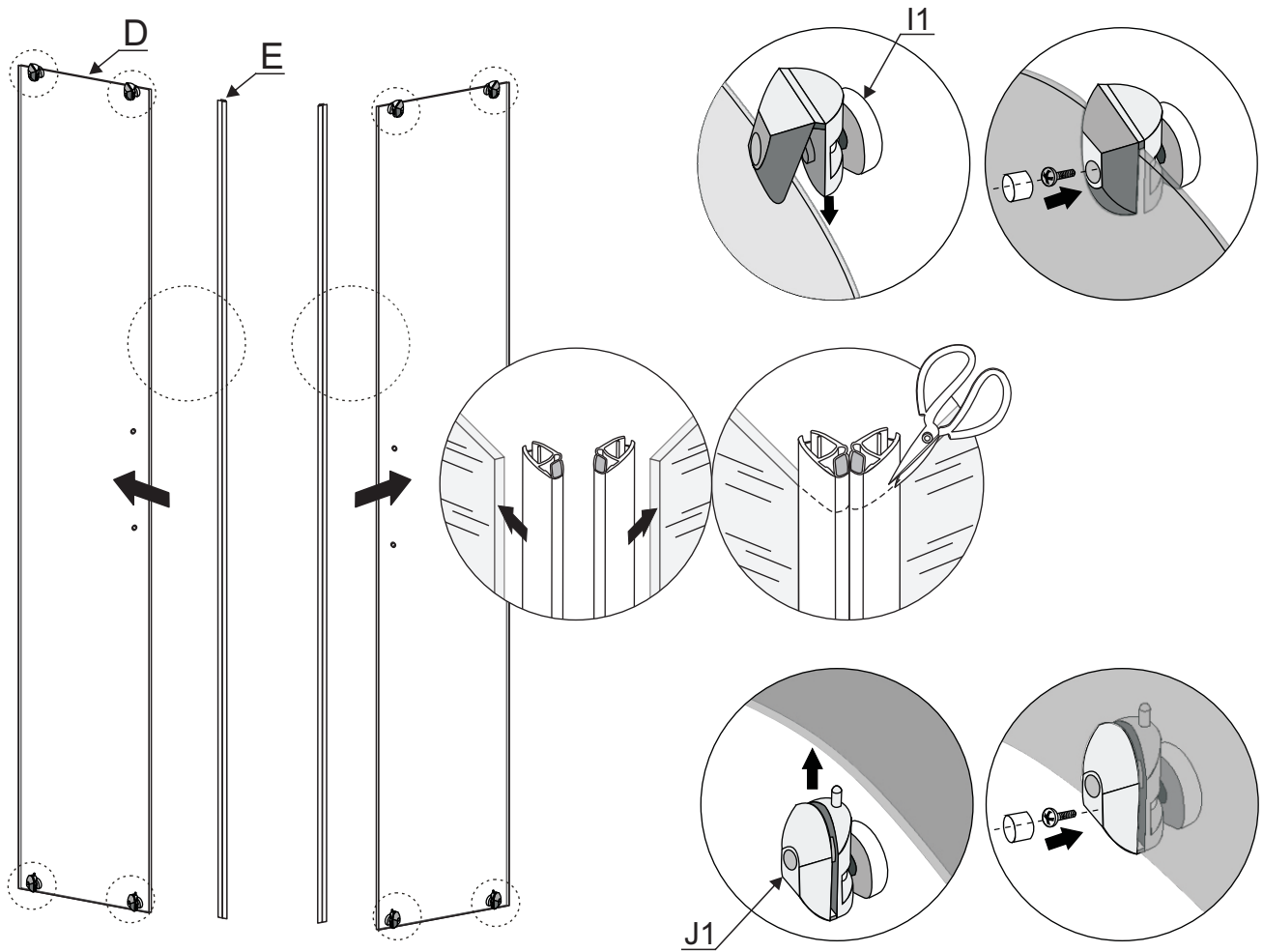
Installation instructions



Installation instructions



Installation instructions



Installation instructions

